



CT357 Series DC Input 4-Pin Mini-Flat DMC-Isolator® Phototransistor Optocoupler

Features

- High isolation 3750 VRMS
- Patented coplanar structure DMC-Isolator®
- Various CTR selection available
- DC input with transistor output
- Operating temperature range - 55 °C to 110 °C
- External Creepage $\geq 5.0\text{mm}$
- Distance Through Isolation $\geq 0.4\text{mm}$
- Clearance Distance $\geq 5.0\text{mm}$
- RoHS and REACH Compliance
- Halogen Free Compliance
- MSL class 1
- Regulatory Approvals
 - ✓ UL - UL1577 (E364000)
 - ✓ VDE - EN60747-5-5 (VDE0884-5)
 - ✓ CQC - GB4943.1, GB8898 (19001231775)
 - ✓ IEC62368 (FI/41119)

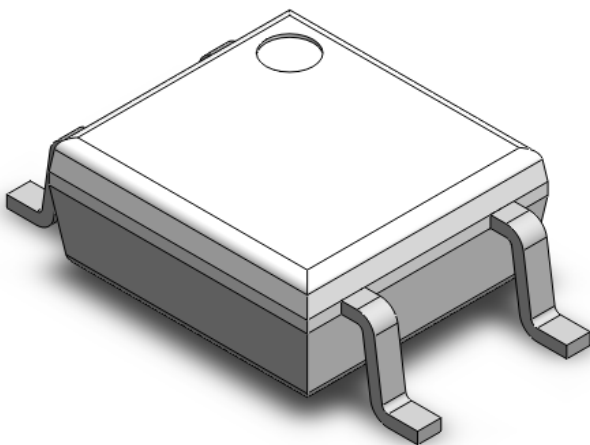
Description

The CT357 series of general purpose optocoupler consists of a photo transistor optically coupled to an Infrared-emitting diode in a 4-lead Mini-Flat DMC-Isolator® package with bending option.

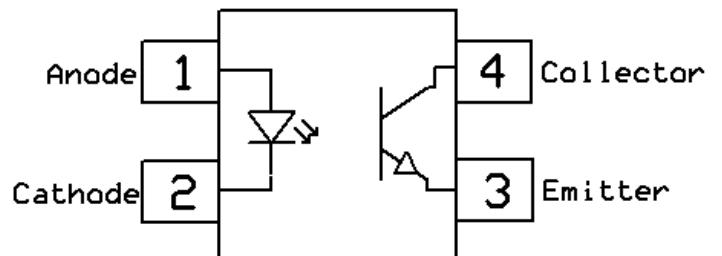
Applications

- DC-DC Converters
- Programmable controllers
- Telecommunication equipment
- Hybrid substrates that require high density mounting

Package Outline



Schematic





CT357 Series

DC Input 4-Pin Mini-Flat DMC-Isolator[®]

Phototransistor Optocoupler

Absolute Maximum Ratings $T_A = 25^{\circ}\text{C}$, unless otherwise specified

Stresses in excess of the absolute maximum ratings can cause permanent damage to the device. Functional operation of the device is not implied at these or any other conditions in excess of those given in the operational sections of this document. In addition, extended exposure to stresses above the recommended operating conditions may affect device reliability. The absolute maximum ratings are stress ratings only.

Symbol	Parameters	Ratings	Units	Notes
V_{ISO}	Isolation voltage (AC, 1 minute, 40 ~ 60% R.H.)	3750	V_{RMS}	
T_{OPR}	Operating temperature	-55 ~ +110	$^{\circ}\text{C}$	
T_{STG}	Storage temperature	-55 ~ +150	$^{\circ}\text{C}$	
T_{SOL}	Soldering temperature (For 10 seconds)	260	$^{\circ}\text{C}$	
P_{TOT}	Total power dissipation	200	mW	
Emitter				
I_{F}	Forward current	50	mA	
$I_{\text{F(TRANS)}}$	Peak transient current ($\leq 1\mu\text{s P.W, 300pps}$)	1	A	
V_{R}	Reverse voltage	6	V	
P_{D}	Power dissipation	70	mW	
Detector				
P_{C}	Power dissipation	150	mW	
B_{VCEO}	Collector-Emitter Breakdown Voltage	80	V	
B_{VECO}	Emitter-Collector Breakdown Voltage	7	V	
I_{C}	Collector Current	50	mA	



CT357 Series DC Input 4-Pin Mini-Flat DMC-Isolator® Phototransistor Optocoupler

Electrical Characteristics $T_A = 25^\circ\text{C}$, unless otherwise specified

Emitter Characteristics

Symbol	Parameters	Test Conditions	Min	Typ	Max	Units	Notes
V_F	Forward voltage	$I_F = 10\text{mA}$	-	1.24	1.4	V	
I_R	Reverse Current	$V_R = 6\text{V}$	-	-	5	μA	
C_{IN}	Input Capacitance	$f = 1\text{MHz}$	-	10	250	pF	

Detector Characteristics

Symbol	Parameters	Test Conditions	Min	Typ	Max	Units	Notes
$B_{V_{CEO}}$	Collector-Emitter Breakdown	$I_C = 100\mu\text{A}$	80	-	-	V	
$B_{V_{ECO}}$	Emitter-Collector Breakdown	$I_E = 100\mu\text{A}$	7	-	-	V	
I_{CEO}	Collector-Emitter Dark Current	$V_{CE} = 20\text{V}, I_F = 0\text{mA}$	-	-	100	nA	

Transfer Characteristics

Symbol	Parameters	Test Conditions	Min	Typ	Max	Units	Notes	
CTR	Current Transfer Ratio	$I_F = 5\text{mA}, V_{CE} = 5\text{V}$	CT357	50	-	600	%	
			CT357A	80	-	160		
			CT357B	130	-	260		
			CT357C	200	-	400		
			CT357D	300	-	600		
$V_{CE(SAT)}$	Collector-Emitter Saturation Voltage	$I_F = 20\text{mA}, I_C = 1\text{mA}$	-	0.06	0.2	V		
R_{IO}	Isolation Resistance	$V_{IO} = 500\text{V}_{DC}, 40 \sim 60\% \text{ R.H.}$	5×10^{10}	-	-	Ω		
C_{IO}	Isolation Capacitance	$f = 1\text{MHz}$	-	0.5	1	pF		

Switching Characteristics

Symbol	Parameters	Test Conditions	Min	Typ	Max	Units	Notes
t_r	Rise Time	$I_C = 2\text{mA}, V_{CE} = 2\text{V}, R_L = 100\Omega$	-	6	18	μs	
t_f	Fall Time		-	8	18		



CT357 Series DC Input 4-Pin Mini-Flat DMC-Isolator® Phototransistor Optocoupler

Typical Characteristic Curves $T_A = 25^\circ\text{C}$, unless otherwise specified

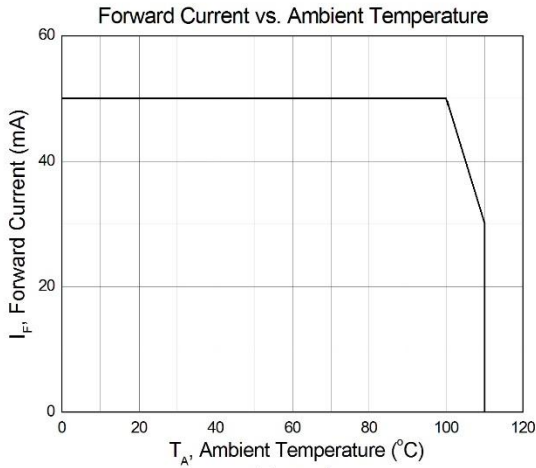


Figure 1

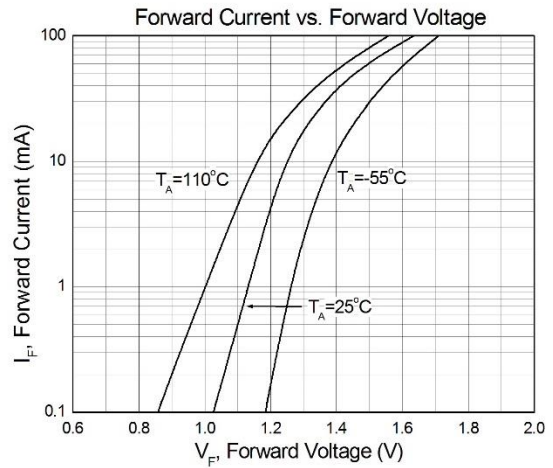


Figure 2

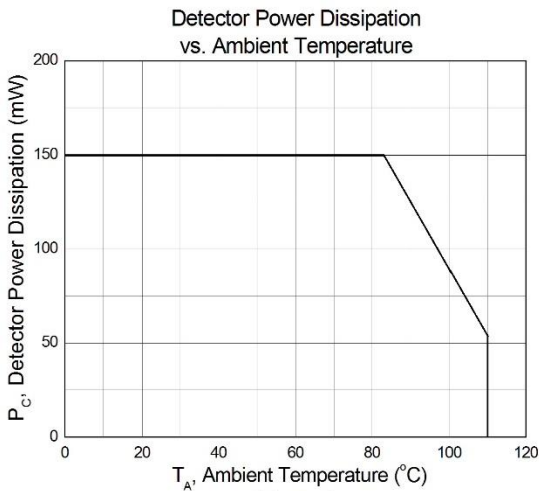


Figure 3

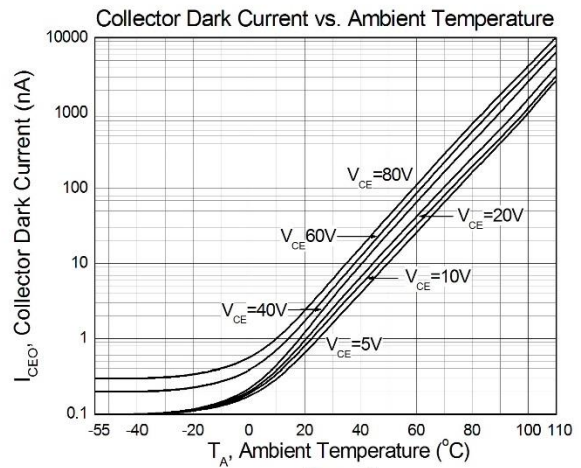


Figure 4

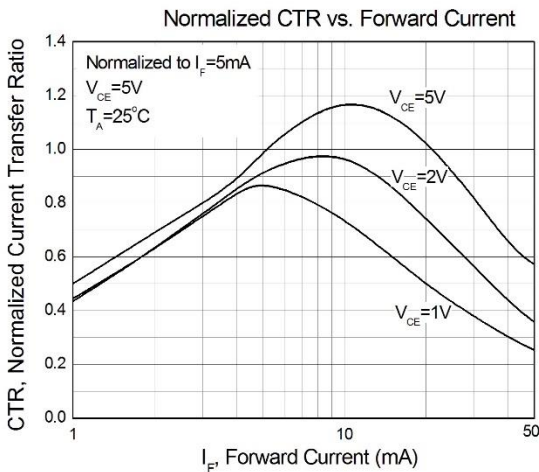


Figure 5

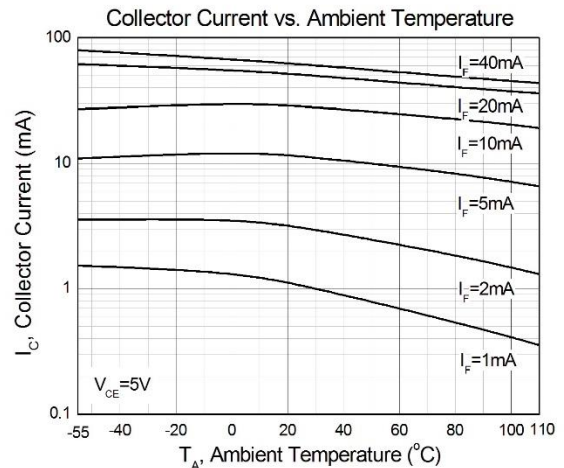


Figure 6



CT357 Series DC Input 4-Pin Mini-Flat DMC-Isolator[®] Phototransistor Optocoupler

Typical Characteristic Curves $T_A = 25^\circ\text{C}$, unless otherwise specified (Continued)

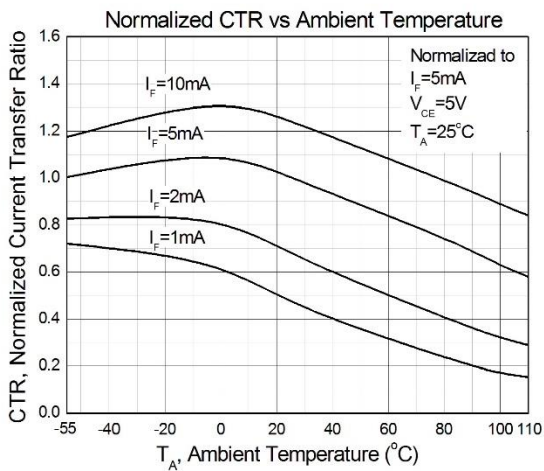


Figure 7

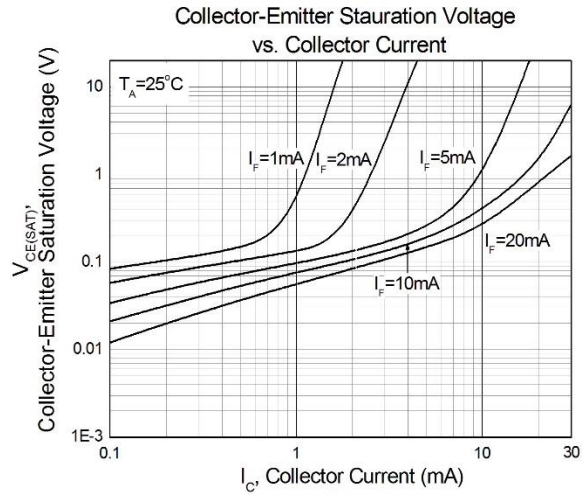


Figure 8

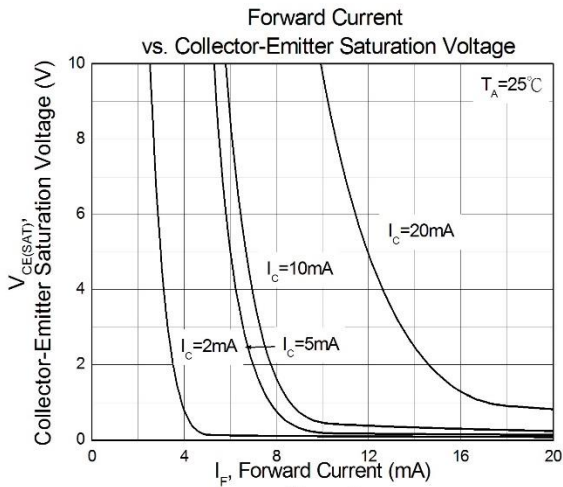


Figure 9

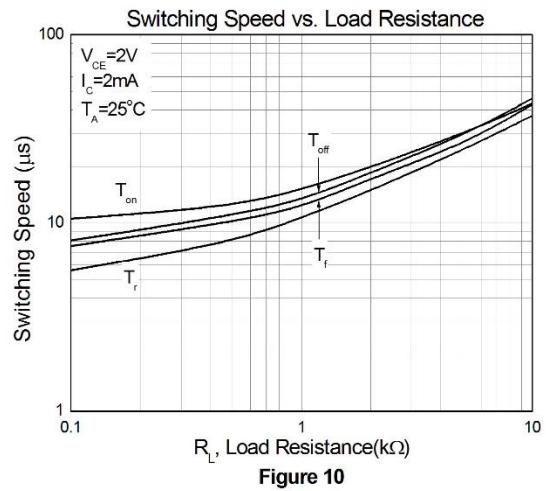


Figure 10

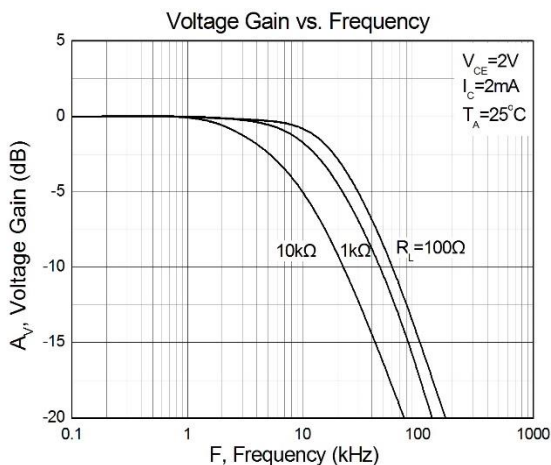


Figure 11



CT357 Series DC Input 4-Pin Mini-Flat DMC-Isolator[®] Phototransistor Optocoupler

Test Circuit

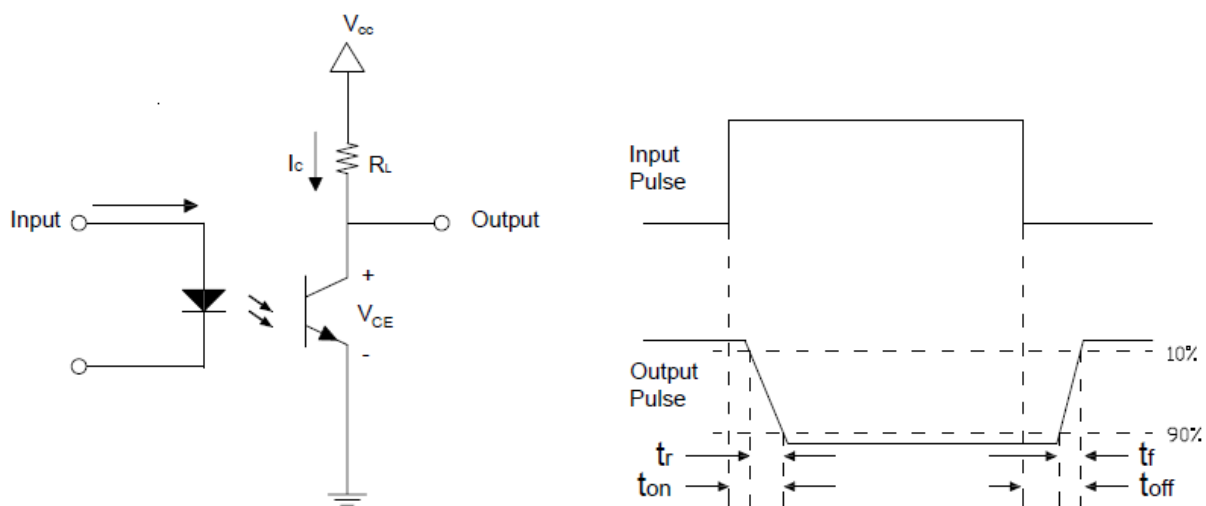
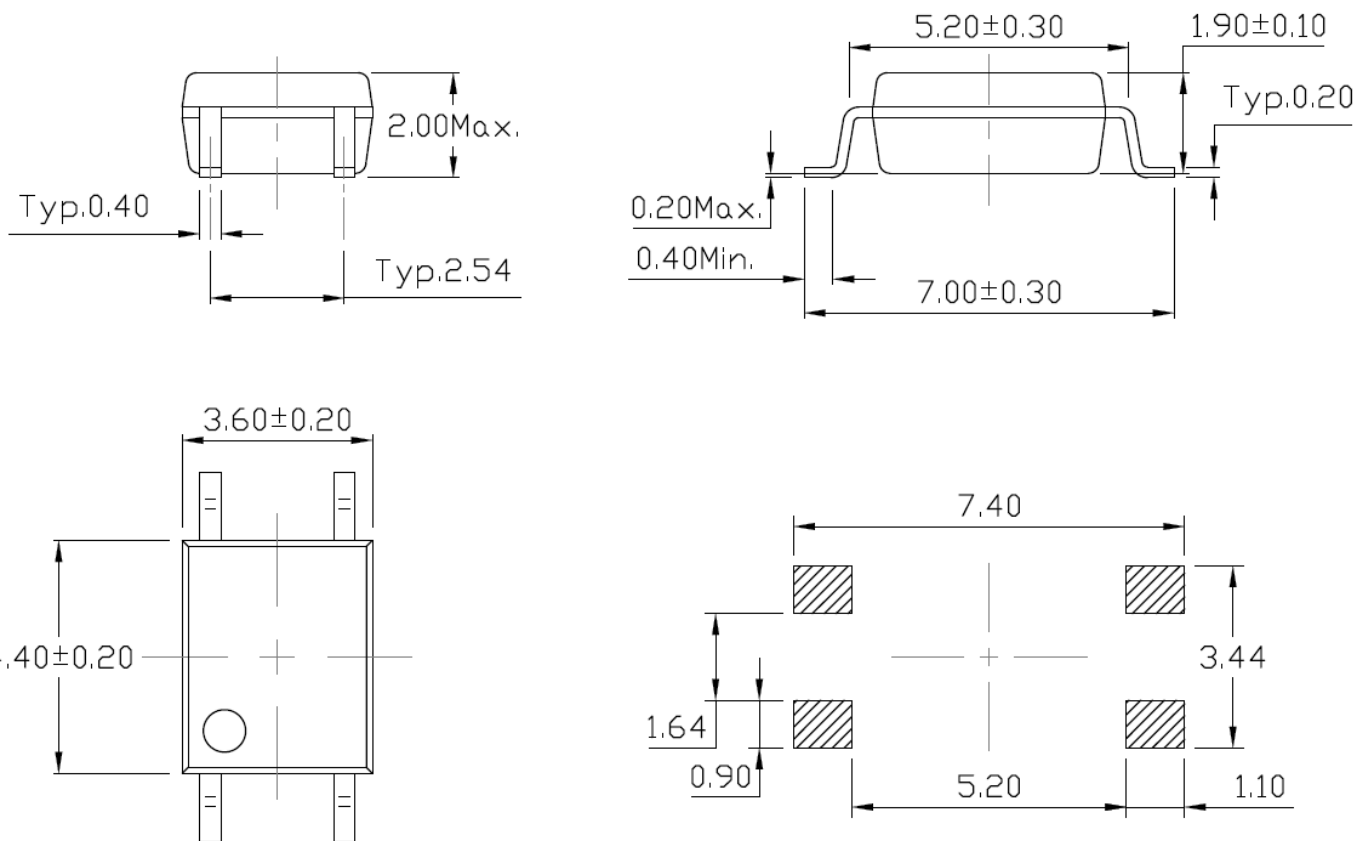


Figure 12: Switching Time Test Circuit



CT357 Series DC Input 4-Pin Mini-Flat DMC-Isolator[®] Phototransistor Optocoupler

Package Dimension *Dimensions in mm unless otherwise stated*



Marking Information



Note:

- CT : Denotes "CT Micro"
- 357 : Part Number
- X : CTR Rank (Blank, A, B, C or D)
- V : VDE Safety Mark (Blank or V)
- Y : One Digit Year Code
- WW : Two Digit Work Week
- K : Manufacturing Code



CT357 Series DC Input 4-Pin Mini-Flat DMC-Isolator® Phototransistor Optocoupler

Ordering Information

CT357X(V)(Z)

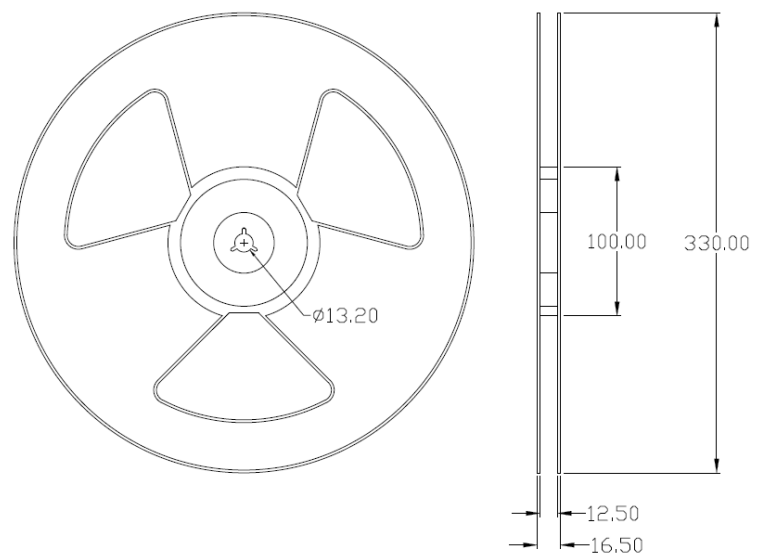
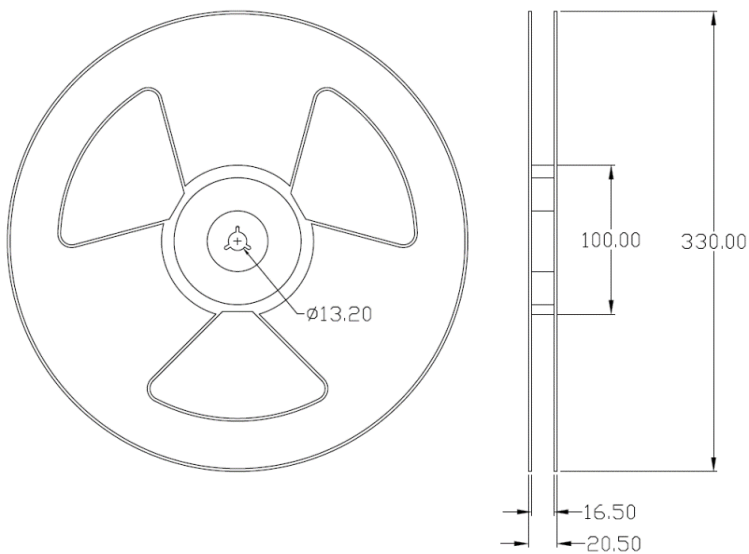
- CT = Denotes "CT Micro"
- 357 = Part Number
- X = CTR Rank Option (Blank, A, B, C or D)
- V = VDE Safety Mark Option (Blank or V)
- Z = Tape and Reel Option (T1, T2, T3 or T4)

Option	Description	Quantity
T1	Surface Mount Lead Forming – With Option 1 Tapping	3000 Units/Reel
T2	Surface Mount Lead Forming – With Option 2 Tapping	3000 Units/Reel
T3	Surface Mount Lead Forming – With Option 3 Tapping	3000 Units/Reel
T4	Surface Mount Lead Forming – With Option 4 Tapping	3000 Units/Reel

Reel Dimension *All dimensions are in mm, unless otherwise stated*

Option T1 / T2

Option T3 / T4

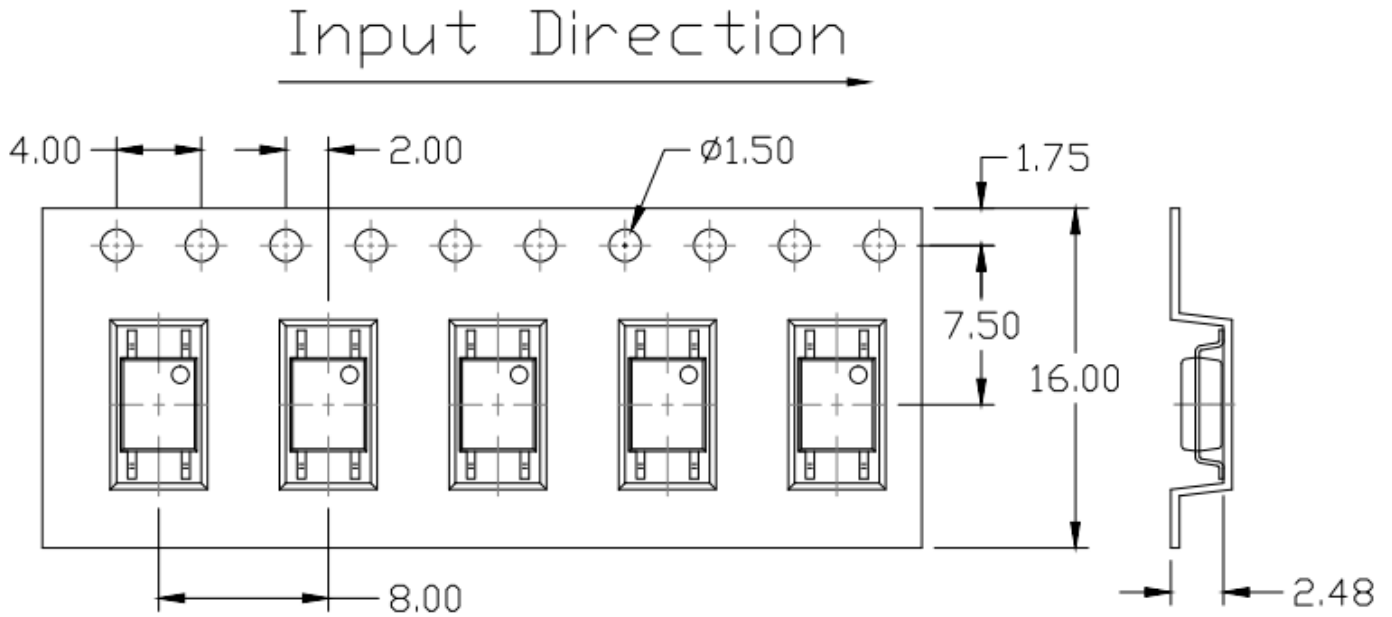




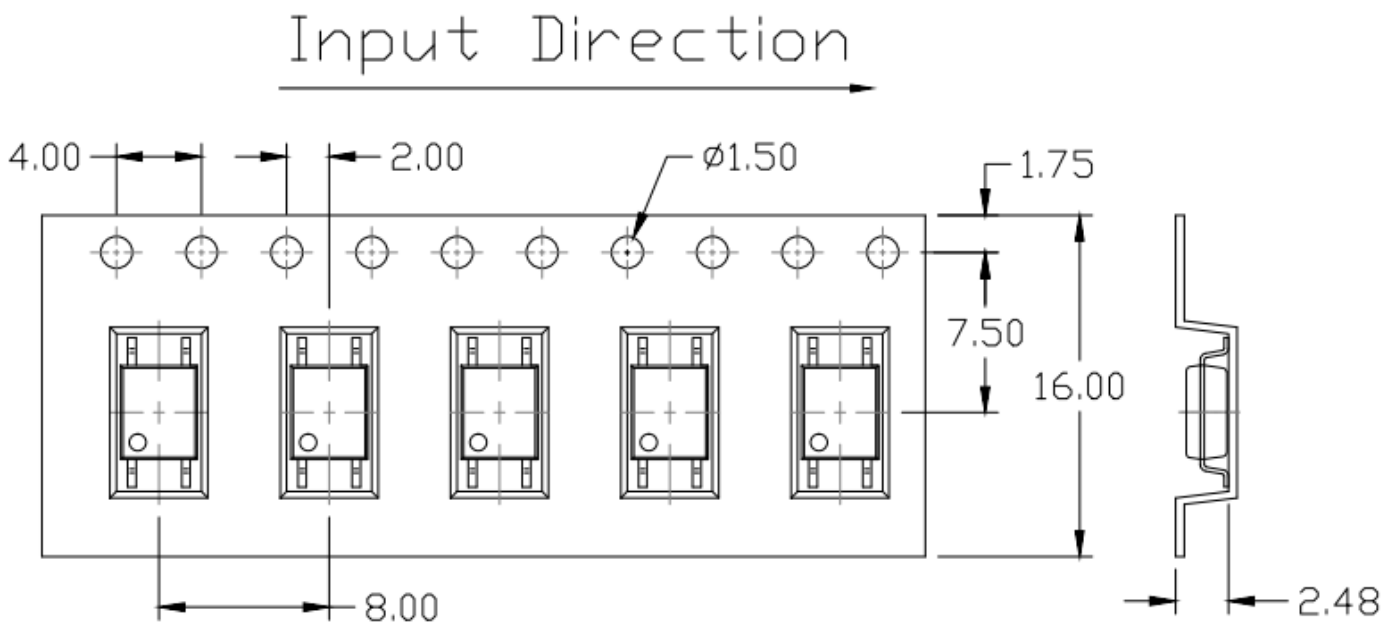
CT357 Series DC Input 4-Pin Mini-Flat DMC-Isolator[®] Phototransistor Optocoupler

Carrier Tape Specifications *Dimensions in mm unless otherwise stated*

Option T1



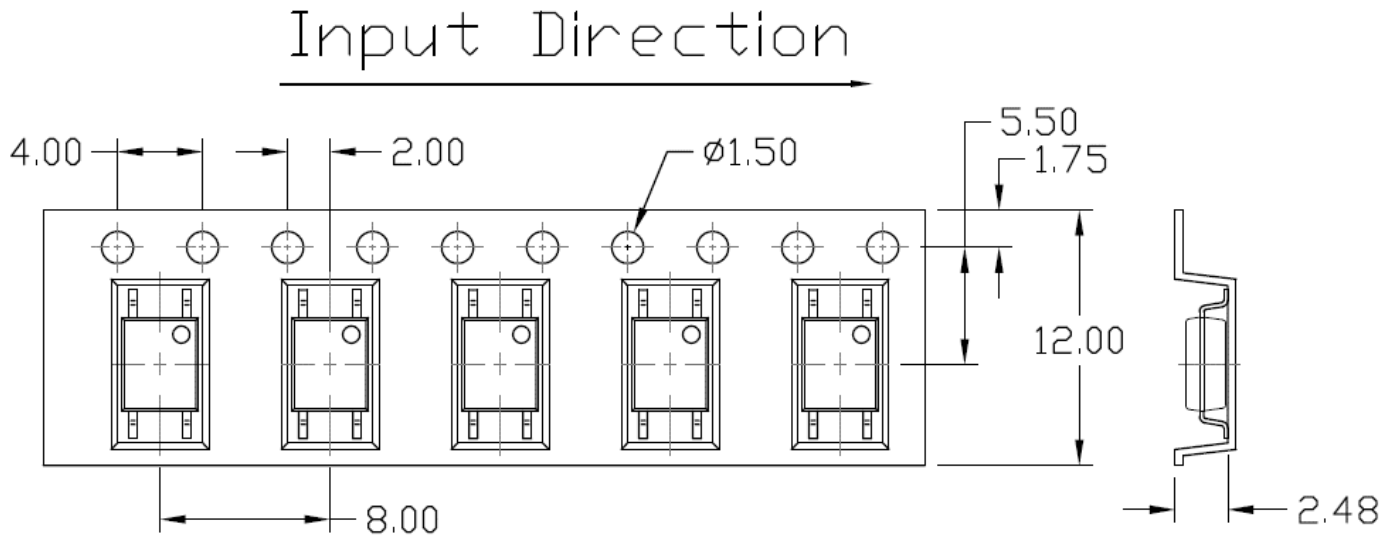
Option T2



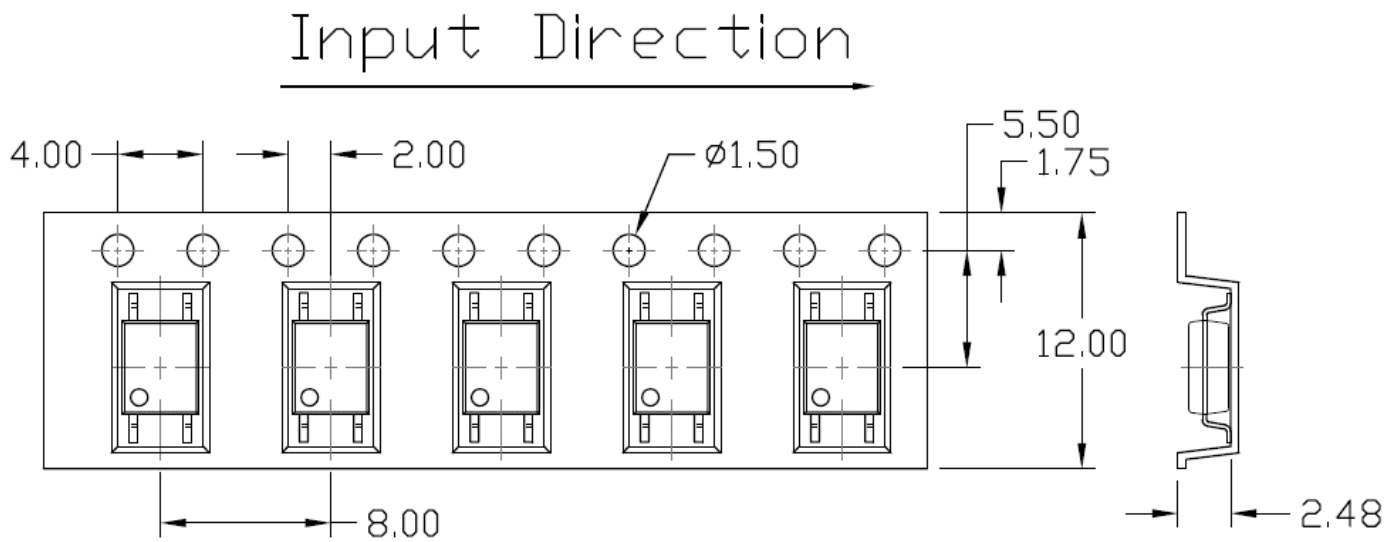


CT357 Series DC Input 4-Pin Mini-Flat DMC-Isolator[®] Phototransistor Optocoupler

Option T3



Option T4





Solderability Specification (follow the JEDEC standard JESD22-B102)

Reflow Soldering: Immersed surface, other than the end of pin as cut-surface, must be covered by solder.

Solder-Bath: More than 95% of the electrode must be covered with solder.

Wave soldering (Follow the JEDEC standard JESD22-A111)

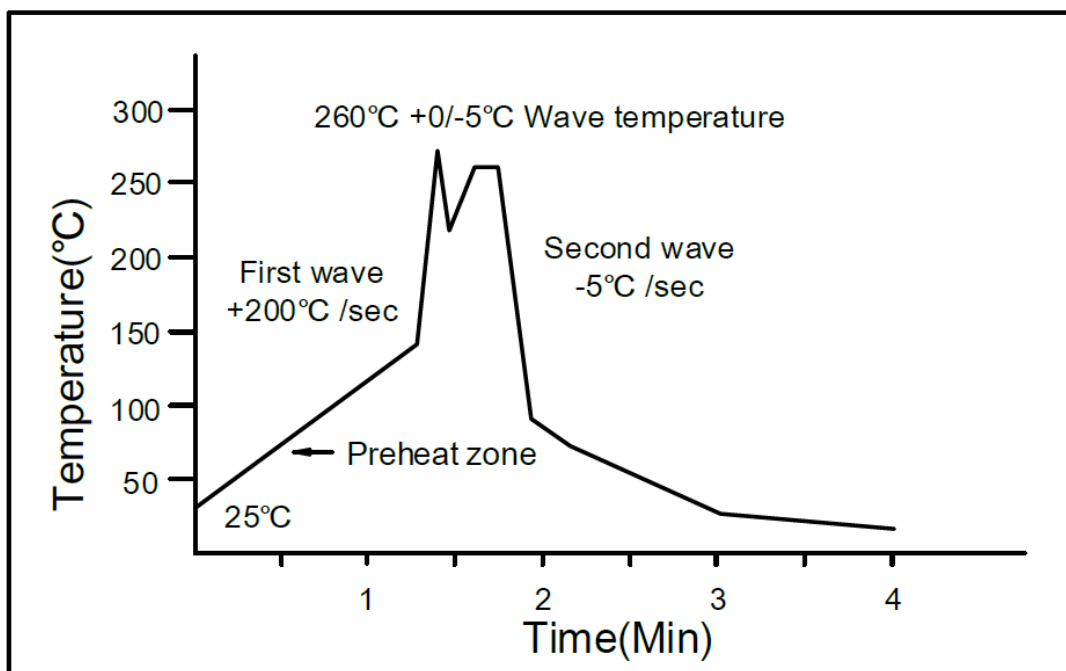
One time soldering is recommended within the condition of temperature.

Temperature: $260 \pm 5^\circ\text{C}$.

Time: 10 sec.

Preheat temperature: 25 to 140°C .

Preheat time: 30 to 80 sec.



Iron Soldering (follow the standard MIL-STD 202G, Method 210F)

Allow single lead soldering in every single process.

One time soldering is recommended.

Temperature: $350 \pm 10^\circ\text{C}$

Time: 5 sec max.

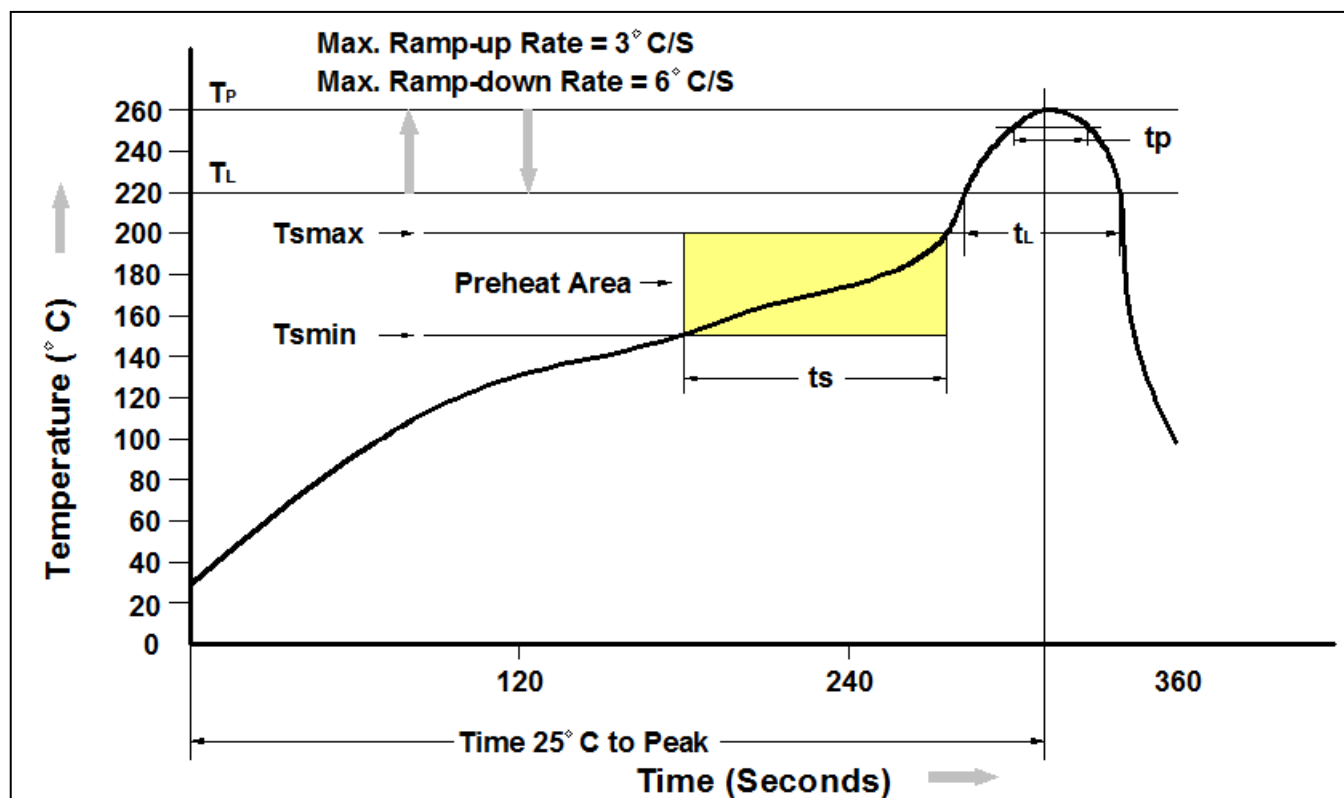


CT357 Series

DC Input 4-Pin Mini-Flat DMC-Isolator[®]

Phototransistor Optocoupler

Reflow Profile (Follow the JEDEC standard J-STD-020)



Profile Feature	Pb-Free Assembly Profile
Temperature Min. (T_{smin})	150°C
Temperature Max. (T_{smax})	200°C
Time (t_s) from (T_{smin} to T_{smax})	60-120 seconds
Ramp-up Rate (t_L to t_P)	3°C/second max.
Liquidous Temperature (T_L)	217°C
Time (t_L) Maintained Above (T_L)	60 – 150 seconds
Peak Body Package Temperature	260°C +0°C / -5°C
Time (t_P) within 5°C of 260°C	30 seconds
Ramp-down Rate (T_P to T_L)	6°C/second max
Time 25°C to Peak Temperature	8 minutes max.



CT357 Series DC Input 4-Pin Mini-Flat DMC-Isolator® Phototransistor Optocoupler

DISCLAIMER

DMC-Isolator® IS A TRADEMARK OF CT MICRO INTERNATIONAL CORPORATION AND/OR ITS SUBSIDIARIES. CT MICRO OWNS THE RIGHTS TO A NUMBER OF PATENTS, TRADEMARKS, COPYRIGHTS AND OTHER INTELLECTUAL PROPERTY.

CT MICRO RESERVES THE RIGHT TO MAKE CHANGES WITHOUT FURTHER NOTICE TO ANY PRODUCTS HEREIN TO IMPROVE RELIABILITY, FUNCTION OR DESIGN. CT MICRO DOES NOT ASSUME ANY LIABILITY ARISING OUT OF THE APPLICATION OR USE OF ANY PRODUCT OR CIRCUIT DESCRIBED HEREIN; NEITHER DOES IT CONVEY ANY LICENSE UNDER ITS PATENT RIGHTS, NOR THE RIGHTS OF OTHERS.

COLOUR CHANGE MIGHT OCCUR ON THE PACKAGE SURFACE AFTER SOLDERING, REFLOW OR LONG TERM USE. THIS DOES NOT IMPACT THE PRODUCT PERFORMANCE NOR THE PRODUCT RELIABILITY.

CT MICRO ARE NOT AUTHORIZED FOR USE AS CRITICAL COMPONENTS IN LIFE SUPPORT DEVICES OR SYSTEMS WITHOUT EXPRESS WRITTEN APPROVAL OF CT MICRO INTERNATIONAL CORPORATION.

- 1. Life support devices or systems are devices or systems which, (a) are intended for surgical implant into the body, or (b) support or sustain life, or (c) whose failure to perform when properly used in accordance with instruction for use provided in the labelling, can be reasonably expected to result in significant injury to the user.*
- 2. A critical component is any component of a life support device or system whose failure to perform can be reasonably expected to cause the failure of the life support device or system, or to affect its safety or effectiveness*