

## LM117, LM317-N Wide Temperature Three-Pin Adjustable Regulator

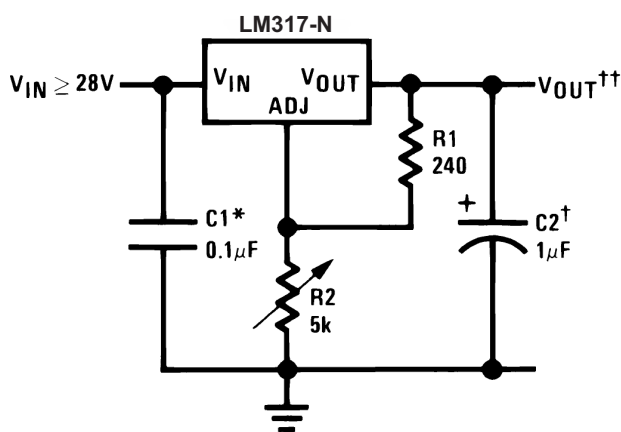
### 1 Features

- For a newer drop-in alternative, see the [LM317](#)
- Typ. 0.1% load regulation
- Typ. 0.01%/V line regulation
- 1.5-A output current
- Adjustable output down to 1.25 V
- Current limit constant with temperature
- 80-dB ripple rejection
- Short-circuit protected output
- –55°C to 150°C operating temperature range (LM117)

### 2 Applications

- [Multifunction printers](#)
- [AC drive power stage modules](#)
- [Electricity meters](#)
- [Servo drive control modules](#)
- [Merchant network and server PSU](#)

#### Typical Application



\*Needed if device is more than 6 inches from filter capacitors.

†Optional—improves transient response

$$\dagger\dagger V_{OUT} = 1.25 V \left( 1 + \frac{R_2}{R_1} \right) + I_{ADJ} (R_2)$$

### 3 Description

The LM117 and LM317-N series of adjustable 3-pin positive voltage regulators are capable of supplying in excess of 1.5 A over a 1.25-V to 37-V output range and a wide temperature range. They are exceptionally easy to use and require only two external resistors to set the output voltage. Further, both line and load regulation are better than standard fixed regulators.

The LM117 and LM317-N offer full overload protection such as current limit, thermal overload protection and safe area protection. All overload protection circuitry remains fully functional even if the adjustment terminal is disconnected.

Typically, no capacitors are needed unless the device is situated more than 6 inches from the input filter capacitors, in which case an input bypass is needed. An optional output capacitor can be added to improve transient response. The adjustment terminal can be bypassed to achieve very high ripple rejection ratios that are difficult to achieve with standard 3-terminal regulators.

Because the regulator is *floating* and detects only the input-to-output differential voltage, supplies of several hundred volts can be regulated as long as the maximum input-to-output differential is not exceeded. That is, avoid short-circuiting the output.

By connecting a fixed resistor between the adjustment pin and output, the LM117 and LM317-N can be also used as a precision current regulator. Supplies with electronic shutdown can be achieved by clamping the adjustment terminal to ground, which programs the output to 1.25 V where most loads draw little current.

For applications requiring greater output current, see the [LM150 series \(3 A\)](#) and [LM138 series \(5 A\)](#) data sheets. For the negative complement, see the [LM137 series](#) data sheet.

#### Device Information<sup>(1)</sup>

| PART NUMBER | PACKAGE     | BODY SIZE (NOM)      |
|-------------|-------------|----------------------|
| LM117       | TO-3 (2)    | 38.94 mm x 25.40 mm  |
|             | TO (3)      | 8.255 mm x 8.255 mm  |
| LM317-N     | TO-3 (2)    | 38.94 mm x 25.40 mm  |
|             | TO-220 (3)  | 14.986 mm x 10.16 mm |
|             | TO-263 (3)  | 10.18 mm x 8.41 mm   |
|             | SOT-223 (4) | 6.50 mm x 3.50 mm    |
|             | TO (3)      | 8.255 mm x 8.255 mm  |
|             | TO-252 (3)  | 6.58 mm x 6.10 mm    |

(1) For all available packages, see the orderable addendum at the end of the data sheet.



## Table of Contents

|  |           |  |           |
|--|-----------|--|-----------|
| <b>1 Features</b> .....                        | <b>1</b>  | 8.3 Feature Description.....                                     | <b>14</b> |
| <b>2 Applications</b> .....                    | <b>1</b>  | 8.4 Device Functional Modes.....                                 | <b>14</b> |
| <b>3 Description</b> .....                     | <b>1</b>  | <b>9 Application and Implementation</b> .....                    | <b>16</b> |
| <b>4 Revision History</b> .....                | <b>2</b>  | 9.1 Application Information.....                                 | <b>16</b> |
| <b>5 Device Comparison Table</b> .....         | <b>3</b>  | 9.2 Typical Applications .....                                   | <b>16</b> |
| <b>6 Pin Configuration and Functions</b> ..... | <b>4</b>  | <b>10 Power Supply Recommendations</b> .....                     | <b>28</b> |
| <b>7 Specifications</b> .....                  | <b>6</b>  | <b>11 Layout</b> .....   | <b>28</b> |
| 7.1 Absolute Maximum Ratings .....             | <b>6</b>  | 11.1 Layout Guidelines .....                                     | <b>28</b> |
| 7.2 ESD Ratings.....                           | <b>6</b>  | 11.2 Layout Examples.....  | <b>34</b> |
| 7.3 Recommended Operating Conditions.....      | <b>6</b>  | <b>12 Device and Documentation Support</b> .....                 | <b>36</b> |
| 7.4 Thermal Information, LM117.....            | <b>6</b>  | 12.1 Documentation Support .....                                 | <b>36</b> |
| 7.5 Thermal Information, LM317-N.....          | <b>7</b>  | 12.2 Related Links .....   | <b>36</b> |
| 7.6 LM117 Electrical Characteristics.....      | <b>7</b>  | 12.3 Receiving Notification of Documentation Updates             | <b>36</b> |
| 7.7 LM317-N Electrical Characteristics.....    | <b>8</b>  | 12.4 Support Resources .....                                     | <b>36</b> |
| 7.8 Typical Characteristics.....               | <b>9</b>  | 12.5 Trademarks .....  | <b>36</b> |
| <b>8 Detailed Description</b> .....            | <b>12</b> | 12.6 Electrostatic Discharge Caution.....                        | <b>36</b> |
| 8.1 Overview .....                             | <b>12</b> | 12.7 Glossary .....  | <b>36</b> |
| 8.2 Functional Block Diagram .....             | <b>13</b> | <b>13 Mechanical, Packaging, and Orderable Information</b> ..... | <b>37</b> |

## 4 Revision History

NOTE: Page numbers for previous revisions may differ from page numbers in the current version.

| <b>Changes from Revision P (October 2015) to Revision Q</b> | <b>Page</b> |
|---|-------------|
| • Added alternative device <i>Features</i> bullet .....     | <b>1</b>    |
| • Changed <i>Applications</i> section .....                 | <b>1</b>    |
| • Changed <i>Device Comparison Table</i> .....              | <b>3</b>    |
| • Changed <i>Related Documentation</i> section.....         | <b>36</b>   |

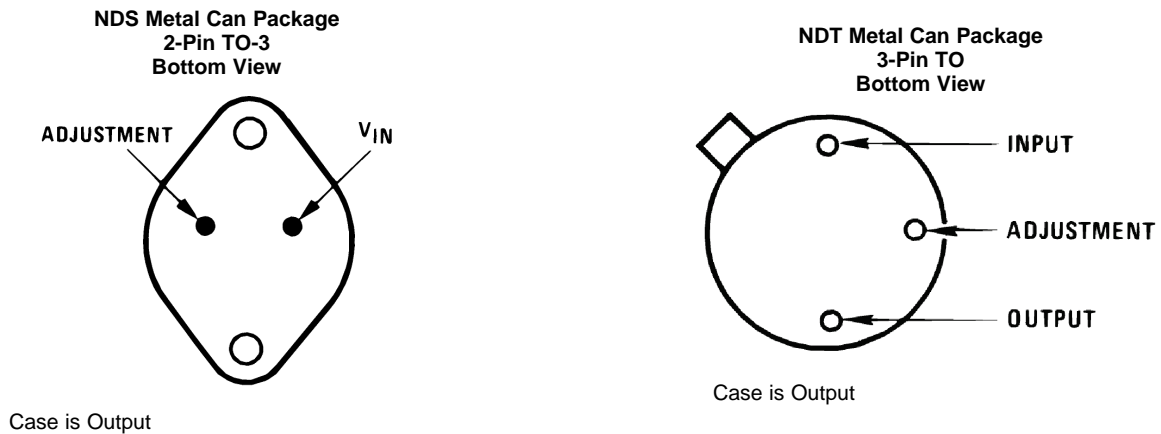
| <b>Changes from Revision O (January 2014) to Revision P</b>   | <b>Page</b> |
|---|-------------|
| • Added, updated, or renamed the following sections: <i>Description</i> ; <i>Pin Configuration and Functions</i> ; <i>Specifications</i> ; <i>ESD Ratings</i> table; <i>Application and Implementation</i> ; <i>Power Supply Recommendations</i> ; <i>Layout</i> ; <i>Mechanical, Packaging, and Ordering Information</i> ..... | <b>1</b>    |
| • Removed information regarding LM317A, formerly part of this data sheet. LM317A can now be found in the TI catalog under literature number SNVSAC2 .....   | <b>1</b>    |

| <b>Changes from Revision N (August 2013) to Revision O</b>  | <b>Page</b> |
|---|-------------|
| • Deleted MDT Package (over Full Operating Temperature Range) .....   | <b>8</b>    |
| • Changed Current Limit MIN from 0.112 to 0.15 and TYP from 0.3 to 0.4 for (VIN – VOUT) = 40 V in the LM317A and LM317-N Electrical Characteristics Section ..... | <b>8</b>    |
| • Deleted MDT Package .....   | <b>8</b>    |

## 5 Device Comparison Table

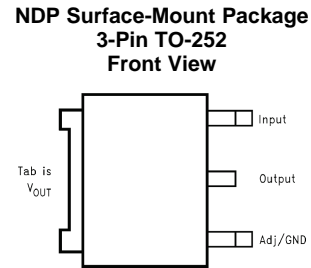
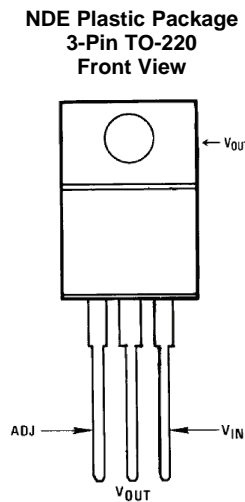
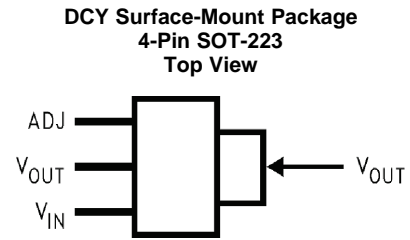
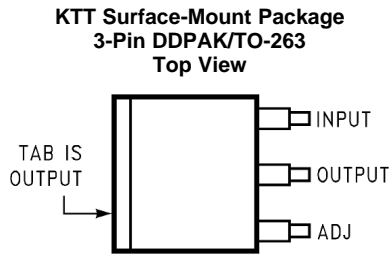
| I <sub>OUT</sub>       | PARAMETER                         | LM317         | LM317-N         | LM317A     | LM317HV   | UNIT |
|------------------------|-----------------------------------|---------------|-----------------|------------|-----------|------|
| 1.5 A                  | Input voltage range               | 4.25 - 40     | 4.25 - 40       | 4.25 - 40  | 4.25 - 60 | V    |
|                        | Load regulation accuracy          | 1.5           | 1.5             | 1          | 1.5       | %    |
|                        | PSRR (120 Hz)                     | 64            | 80              | 80         | 65        | dB   |
|                        | Recommended operating temperature | 0 to 125      | 0 to 125        | -40 to 125 | 0 to 125  | °C   |
|                        | TO-220 (NDE) T <sub>JA</sub>      | 23.5          | 23.2            | 23.3       | 23        | °C/W |
|                        | TO-200 (KCT) T <sub>JA</sub>      | 37.9          | N/A             | N/A        | N/A       | °C/W |
|                        | TO-252 T <sub>JA</sub>            | N/A           | 54              | 54         | N/A       | °C/W |
|                        | TO-263 T <sub>JA</sub>            | 38            | 41              | N/A        | N/A       | °C/W |
|                        | SOT-223 T <sub>JA</sub>           | 66.8          | 59.6            | 59.6       | N/A       | °C/W |
| TO-92 T <sub>JA</sub>  | N/A                               | 186           | 186             | N/A        | °C/W      |      |
| 0.5 A                  |                                   | <b>LM317M</b> |                 |            |           |      |
|                        | Input voltage range               | 3.75 - 40     |                 |            |           | V    |
|                        | Load regulation accuracy          | 1.5           |                 |            |           | %    |
|                        | PSRR (120 Hz)                     | 80            |                 |            |           | dB   |
|                        | Recommended operating temperature | -40 - 125     |                 |            |           | °C   |
|                        | SOT-223 T <sub>JA</sub>           | 60.2          |                 |            |           | °C/W |
| TO-252 T <sub>JA</sub> | 56.9                              |               |                 |            | °C/W      |      |
| 0.1 A                  |                                   | <b>LM317L</b> | <b>LM317L-N</b> |            |           |      |
|                        | Input voltage range               | 3.75 - 40     | 4.25 - 40       |            |           | V    |
|                        | Load regulation accuracy          | 1             | 1.5             |            |           | %    |
|                        | PSRR (120 Hz)                     | 62            | 80              |            |           | dB   |
|                        | Recommended operating temperature | -40 to 125    | -40 to 125      |            |           | °C   |
|                        | SOT-23 T <sub>JA</sub>            | 167.8         | N/A             |            |           | °C/W |
|                        | SO-8 T <sub>JA</sub>              | N/A           | 165             |            |           | °C/W |
| DSBGA T <sub>JA</sub>  | N/A                               | 290           |                 |            | °C/W      |      |
| TO-92 T <sub>JA</sub>  | N/A                               | 180           |                 |            | °C/W      |      |

## 6 Pin Configuration and Functions



**Pin Functions, Metal Can Packages**

| NAME      | PIN  |         | I/O | DESCRIPTION                          |
|-----------|------|---------|-----|--------------------------------------|
|           | TO-3 | TO      |     |                                      |
| ADJ       | 1    | 2       | —   | Adjust pin                           |
| $V_{OUT}$ | CASE | 3, CASE | O   | Output voltage pin for the regulator |
| $V_{IN}$  | 2    | 1       | I   | Input voltage pin for the regulator  |



**Pin Functions**

| NAME             | PIN    |        |         |        | I/O | DESCRIPTION                          |
|------------------|--------|--------|---------|--------|-----|--------------------------------------|
|                  | TO-263 | TO-220 | SOT-223 | TO-252 |     |                                      |
| ADJ              | 1      | 1      | 1       | 1      | —   | Adjust pin                           |
| V <sub>OUT</sub> | 2, TAB | 2, TAB | 2, 4    | 2, TAB | O   | Output voltage pin for the regulator |
| V <sub>IN</sub>  | 3      | 3      | 3       | 3      | I   | Input voltage pin for the regulator  |

## 7 Specifications

### 7.1 Absolute Maximum Ratings

over operating free-air temperature range (unless otherwise noted)<sup>(1)(2)</sup>

|                                   | MIN                | MAX | UNIT |
|-----------------------------------|--------------------|-----|------|
| Power dissipation                 | Internally Limited |     |      |
| Input-output voltage differential | -0.3               | 40  | V    |
| Storage temperature, $T_{stg}$    | -65                | 150 | °C   |

- (1) Stresses beyond those listed under *Absolute Maximum Ratings* may cause permanent damage to the device. These are stress ratings only, which do not imply functional operation of the device at these or any other conditions beyond those indicated under *Recommended Operating Conditions*. Exposure to absolute-maximum-rated conditions for extended periods may affect device reliability.
- (2) If Military/Aerospace specified devices are required, please contact the Texas Instruments Sales Office/Distributors for availability and specifications.

### 7.2 ESD Ratings

|             |                         |                                       | VALUE | UNIT |
|-------------|-------------------------|---------------------------------------|-------|------|
| $V_{(ESD)}$ | Electrostatic discharge | Human-body model (HBM) <sup>(1)</sup> | ±3000 | V    |

- (1) Manufacturing with less than 500-V HBM is possible with the necessary precautions. Pins listed as ±3000 V may actually have higher performance.

### 7.3 Recommended Operating Conditions

over operating free-air temperature range (unless otherwise noted)

|                                 | MIN | MAX | UNIT |
|---------------------------------|-----|-----|------|
| Operating temperature (LM117)   | -55 | 150 | °C   |
| Operating temperature (LM317-N) | 0   | 125 | °C   |

### 7.4 Thermal Information, LM117

| THERMAL METRIC <sup>(1)</sup> |   | LM117         |             | UNIT |
|-------------------------------|---|---------------|-------------|------|
|                               |   | NDS<br>(TO-3) | NDT<br>(TO) |      |
|                               |   | 2 PINS        | 3 PINS      |      |
| $R_{\theta JA}$               | Junction-to-ambient thermal resistance <sup>(2)</sup> | 39            | 186         | °C/W |
| $R_{\theta JC(top)}$          | Junction-to-case (top) thermal resistance             | 2             | 21          | °C/W |

- (1) For more information about traditional and new thermal metrics, see the [Semiconductor and IC package thermal metrics application report](#).
- (2) No heatsink.

## 7.5 Thermal Information, LM317-N

| THERMAL METRIC <sup>(1)(2)</sup> |  | LM317-N         |                 |                  |                    |                 | UNIT |
|----------------------------------|--|-----------------|-----------------|------------------|--------------------|-----------------|------|
|                                  |  | KTT<br>(TO-263) | NDE<br>(TO-220) | DCY<br>(SOT-223) | NDT<br>(TO)        | NDP<br>(TO-252) |      |
|                                  |  | 3 PINS          | 3 PINS          | 4 PINS           | 3 PINS             | 3 PINS          |      |
| R <sub>θJA</sub>                 | Junction-to-ambient thermal resistance       | 41.0            | 23.3            | 59.6             | 186 <sup>(3)</sup> | 54              | °C/W |
| R <sub>θJC(top)</sub>            | Junction-to-case (top) thermal resistance    | 43.6            | 16.2            | 39.3             | 21                 | 51.3            | °C/W |
| R <sub>θJB</sub>                 | Junction-to-board thermal resistance         | 23.6            | 4.9             | 8.4              | —                  | 28.6            | °C/W |
| Ψ <sub>JT</sub>                  | Junction-to-top characterization parameter   | 10.4            | 2.7             | 1.8              | —                  | 3.9             | °C/W |
| Ψ <sub>JB</sub>                  | Junction-to-board characterization parameter | 22.6            | 4.9             | 8.3              | —                  | 28.1            | °C/W |
| R <sub>θJC(bot)</sub>            | Junction-to-case (bottom) thermal resistance | 0.9             | 1.1             | —                | —                  | 0.9             | °C/W |

- (1) For more information about traditional and new thermal metrics, see the [Semiconductor and IC package thermal metrics application report](#).
- (2) When surface mount packages are used (SOT-223, TO-252), the junction to ambient thermal resistance can be reduced by increasing the PCB copper area that is thermally connected to the package. See [Heatsink Requirements](#) for heatsink techniques.
- (3) No heatsink.

## 7.6 LM117 Electrical Characteristics

Some specifications apply over full Operating Temperature Range as noted. Unless otherwise specified, T<sub>J</sub> = 25°C, V<sub>IN</sub> = V<sub>OUT</sub> = 5 V, and I<sub>OUT</sub> = 10 mA.<sup>(1)(2)</sup>

| PARAMETER                               | TEST CONDITIONS   | MIN   | TYP    | MAX  | UNIT |     |
|---|---|---|--------|------|------|-----|
| Reference voltage                       | 3 V ≤ (V <sub>IN</sub> - V <sub>OUT</sub> ) ≤ 40 V,<br>10 mA ≤ I <sub>OUT</sub> ≤ I <sub>MAX</sub> <sup>(1)</sup> (over full operating temperature range) | 1.2   | 1.25   | 1.3  | V    |     |
| Line regulation                         | 3 V ≤ (V <sub>IN</sub> - V <sub>OUT</sub> ) ≤ 40 V <sup>(3)</sup>   | T <sub>J</sub> = 25°C                                 |        | 0.01 | 0.02 |     |
|   |   | over full operating temperature range                 |        | 0.02 | 0.05 |     |
| Load regulation                         | 10 mA ≤ I <sub>OUT</sub> ≤ I <sub>MAX</sub> <sup>(1)(3)</sup>   | T <sub>J</sub> = 25°C                                 |        | 0.1% | 0.3% |     |
|   |   | over full operating temperature range                 |        | 0.3% | 1%   |     |
| Thermal regulation                      | 20-ms pulse   |   | 0.03   | 0.07 | %/W  |     |
| Adjustment pin current                  | over full operating temperature range   |   | 50     | 100  | μA   |     |
| Adjustment pin current change           | 10 mA ≤ I <sub>OUT</sub> ≤ I <sub>MAX</sub> <sup>(1)</sup><br>3 V ≤ (V <sub>IN</sub> - V <sub>OUT</sub> ) ≤ 40 V (over full operating temperature range)  |   | 0.2    | 5    | μA   |     |
| Temperature stability                   | T <sub>MIN</sub> ≤ T <sub>J</sub> ≤ T <sub>MAX</sub> (over full operating temperature range)  |   | 1%     |      |      |     |
| Minimum load current                    | (V <sub>IN</sub> - V <sub>OUT</sub> ) = 40 V (over full operating temperature range)  |   | 3.5    | 5    | mA   |     |
| Current limit                           | (V <sub>IN</sub> - V <sub>OUT</sub> ) ≤ 15 V  | TO-3 Package (over full operating temperature range)  |        | 1.5  | 2.2  | 3.4 |
|   |   | TO-39 Package (over full operating temperature range) |        | 0.5  | 0.8  | 1.8 |
|   | (V <sub>IN</sub> - V <sub>OUT</sub> ) = 40 V  | TO-3 package  |        | 0.3  | 0.4  |     |
|   |   | TO-39 package   |        | 0.15 | 0.2  |     |
| RMS output noise, % of V <sub>OUT</sub> | 10 Hz ≤ f ≤ 10 kHz  |   | 0.003% |      |      |     |
| Ripple rejection ratio                  | V <sub>OUT</sub> = 10 V, f = 120 Hz, C <sub>ADJ</sub> = 0 μF (over full operating temperature range)  |   | 65     |      | dB   |     |
|   | V <sub>OUT</sub> = 10 V, f = 120 Hz, C <sub>ADJ</sub> = 10 μF (over full operating temperature range)   |   | 66     | 80   | dB   |     |
| Long-term stability                     | T <sub>J</sub> = 125°C, 1000 hrs  |   | 0.3%   | 1%   |      |     |

- (1) I<sub>MAX</sub> = 1.5 A for the NDS (TO-3), NDE (TO-220), and KTT (TO-263) packages. I<sub>MAX</sub> = 1.0 A for the DCY (SOT-223) package. I<sub>MAX</sub> = 0.5 A for the NDT (TO) and NDP (TO-252) packages. Device power dissipation (P<sub>D</sub>) is limited by ambient temperature (T<sub>A</sub>), device maximum junction temperature (T<sub>J</sub>), and package thermal resistance (R<sub>θJA</sub>). The maximum allowable power dissipation at any temperature is: P<sub>D(MAX)</sub> = (T<sub>J(MAX)</sub> - T<sub>A</sub>) / R<sub>θJA</sub>. All Min. and Max. limits are ensured to TI's Average Outgoing Quality Level (AOQL).
- (2) Specifications and availability for military and space grades of LM117/883 can be found in the [LM117QML](#) data sheet. Specifications and availability for military and space grades of LM117 can be found in the [LM117JAN](#) data sheet.
- (3) Regulation is measured at a constant junction temperature, using pulse testing with a low duty cycle. Changes in output voltage due to heating effects are covered under the specifications for thermal regulation.

## 7.7 LM317-N Electrical Characteristics<sup>(1)</sup>

Some specifications apply over full Operating Temperature Range as noted. Unless otherwise specified,  $T_J = 25^\circ\text{C}$ ,  $V_{IN} - V_{OUT} = 5\text{ V}$ , and  $I_{OUT} = 10\text{ mA}$ .

| PARAMETER                        | TEST CONDITIONS   | MIN  | TYP    | MAX  | UNIT          |   |
|----------------------------------|---|--|--------|------|---------------|---|
| Reference voltage                | $T_J = 25^\circ\text{C}$  |  | 1.25   |      | V             |   |
|                                  | $3\text{ V} \leq (V_{IN} - V_{OUT}) \leq 40\text{ V}$ ,<br>$10\text{ mA} \leq I_{OUT} \leq I_{MAX}^{(1)}$ (over Full Operating Temperature Range) | 1.2  | 1.25   | 1.3  | V             |   |
| Line regulation                  | $3\text{V} \leq (V_{IN} - V_{OUT}) \leq 40\text{ V}^{(2)}$  | $T_J = 25^\circ\text{C}$   | 0.01   | 0.04 | %V            |   |
|                                  |   | (over full operating temperature range)                          | 0.02   | 0.07 |               |   |
| Load regulation                  | $10\text{ mA} \leq I_{OUT} \leq I_{MAX}^{(1)(2)}$   | $T_J = 25^\circ\text{C}$   | 0.1%   | 0.5% |               |   |
|                                  |   | (over full operating temperature range)                          | 0.3%   | 1.5% |               |   |
| Thermal regulation               | 20-ms pulse   |  | 0.04   | 0.07 | %/W           |   |
| Adjustment pin current           | (over full operating temperature range)   |  | 50     | 100  | $\mu\text{A}$ |   |
| Adjustment pin current change    | $10\text{ mA} \leq I_{OUT} \leq I_{MAX}^{(1)}$<br>$3\text{V} \leq (V_{IN} - V_{OUT}) \leq 40\text{V}$   |  | 0.2    | 5    | $\mu\text{A}$ |   |
| Temperature stability            | $T_{MIN} \leq T_J \leq T_{MAX}$   |  | 1%     |      |               |   |
| Minimum load current             | $(V_{IN} - V_{OUT}) = 40\text{ V}$  |  | 3.5    | 10   | mA            |   |
| Current limit                    | $(V_{IN} - V_{OUT}) \leq 15\text{ V}$   | TO-3, TO-263 Packages (over full operating temperature range)    | 1.5    | 2.2  | 3.4           | A |
|                                  |   | SOT-223, TO-220 Packages (over full operating temperature range) | 1.5    | 2.2  | 3.4           |   |
|                                  |   | TO, TO-252 Package (over full operating temperature range)       | 0.5    | 0.8  | 1.8           |   |
|                                  | $(V_{IN} - V_{OUT}) = 40\text{ V}$  | TO-3, TO-263 packages  | 0.15   | 0.4  | A             |   |
|                                  |   | SOT-223, TO-220 packages   | 0.15   | 0.4  |               |   |
|                                  |   | TO, TO-252 package   | 0.075  | 0.2  |               |   |
| RMS output noise, % of $V_{OUT}$ | $10\text{ Hz} \leq f \leq 10\text{ kHz}$  |  | 0.003% |      |               |   |
| Ripple rejection ratio           | $V_{OUT} = 10\text{ V}$ , $f = 120\text{ Hz}$ , $C_{ADJ} = 0\text{ }\mu\text{F}$ (over full operating temperature range)                          |  | 65     |      | dB            |   |
|                                  | $V_{OUT} = 10\text{ V}$ , $f = 120\text{ Hz}$ , $C_{ADJ} = 10\text{ }\mu\text{F}$ (over full operating temperature range)                         | 66   | 80     |      | dB            |   |
| Long-term stability              | $T_J = 125^\circ\text{C}$ , 1000 hrs  |  | 0.3%   | 1%   |               |   |

- (1)  $I_{MAX} = 1.5\text{ A}$  for the NDS (TO-3), NDE (TO-220), and KTT (TO-263) packages.  $I_{MAX} = 1.0\text{ A}$  for the DCY (SOT-223) package.  $I_{MAX} = 0.5\text{ A}$  for the NDT (TO) and NDP (TO-252) packages. Device power dissipation ( $P_D$ ) is limited by ambient temperature ( $T_A$ ), device maximum junction temperature ( $T_J$ ), and package thermal resistance ( $R_{\theta JA}$ ). The maximum allowable power dissipation at any temperature is:  $P_{D(MAX)} = ((T_{J(MAX)} - T_A) / R_{\theta JA})$ . All Min. and Max. limits are ensured to TI's Average Outgoing Quality Level (AOQL).
- (2) Regulation is measured at a constant junction temperature, using pulse testing with a low duty cycle. Changes in output voltage due to heating effects are covered under the specifications for thermal regulation.



## 7.8 Typical Characteristics

output Capacitor = 0  $\mu$ F (unless otherwise noted)

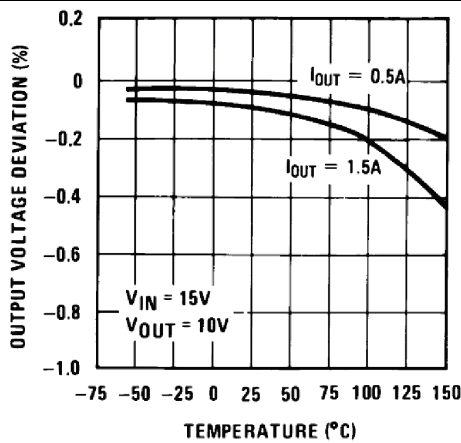


Figure 1. Load Regulation

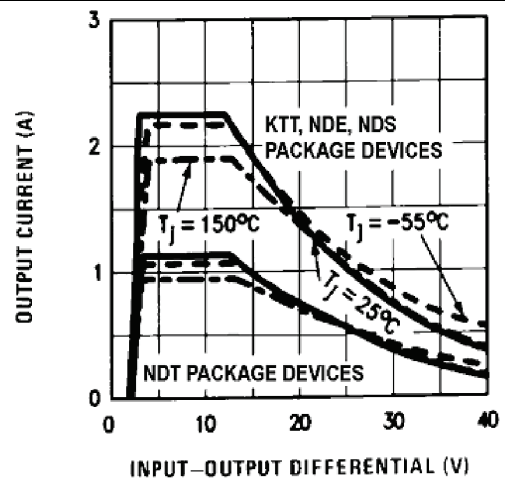


Figure 2. Current Limit

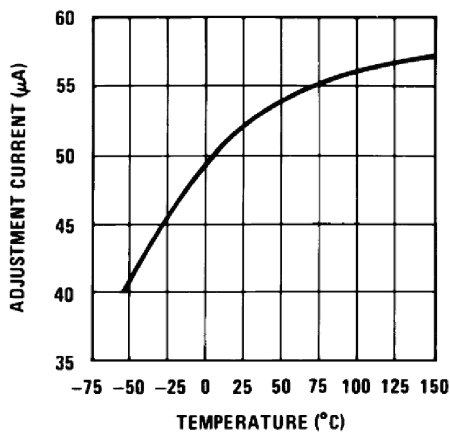


Figure 3. Adjustment Current

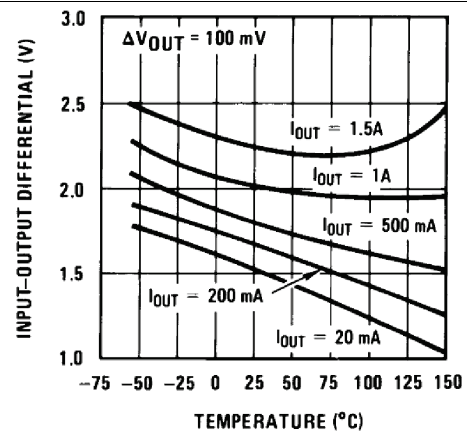


Figure 4. Dropout Voltage

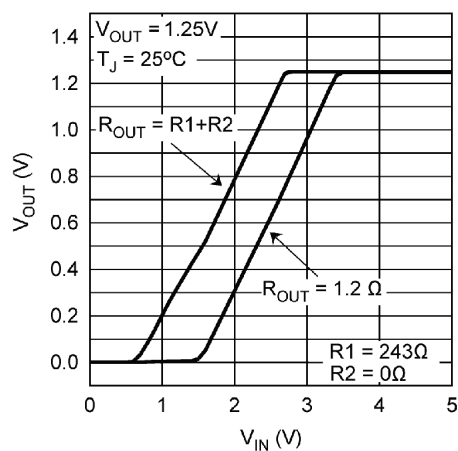


Figure 5.  $V_{OUT}$  vs  $V_{IN}$ ,  $V_{OUT} = V_{REF}$

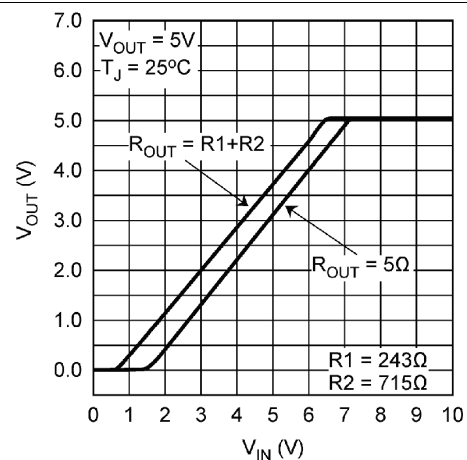


Figure 6.  $V_{OUT}$  vs  $V_{IN}$ ,  $V_{OUT} = 5V$

Typical Characteristics (continued)

output Capacitor = 0  $\mu$ F (unless otherwise noted)

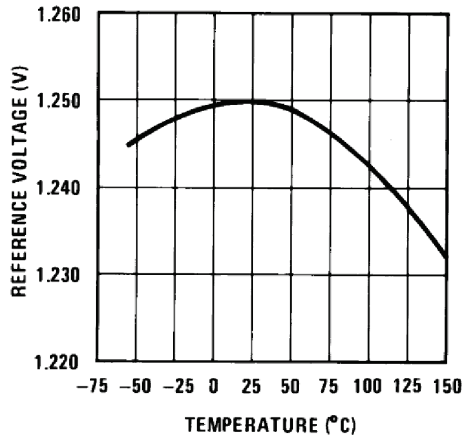


Figure 7. Temperature Stability

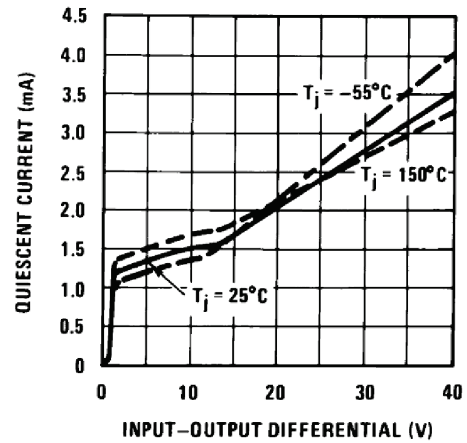


Figure 8. Minimum Operating Current

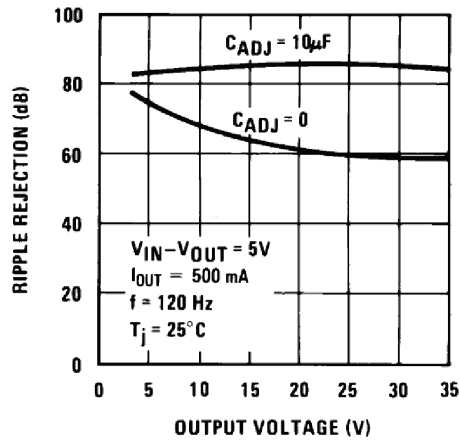


Figure 9. Ripple Rejection

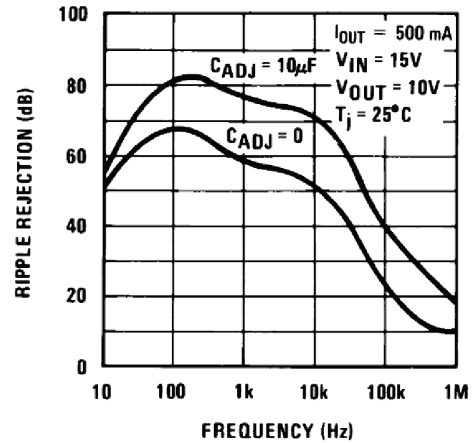


Figure 10. Ripple Rejection

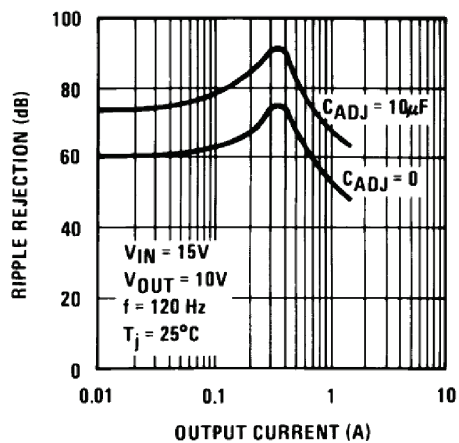


Figure 11. Ripple Rejection

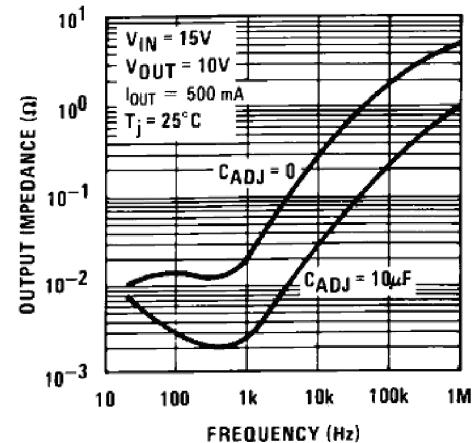
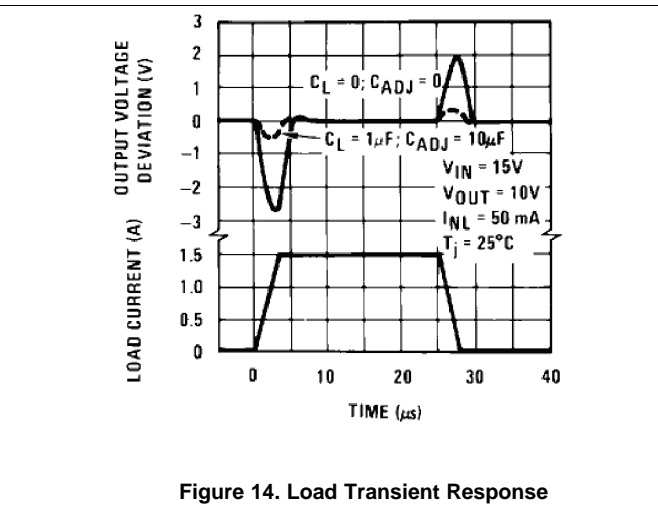
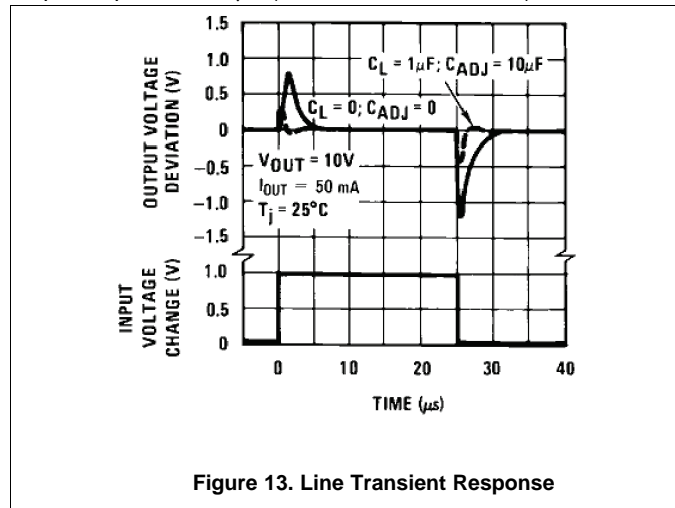


Figure 12. Output Impedance

### Typical Characteristics (continued)

output Capacitor = 0  $\mu$ F (unless otherwise noted)

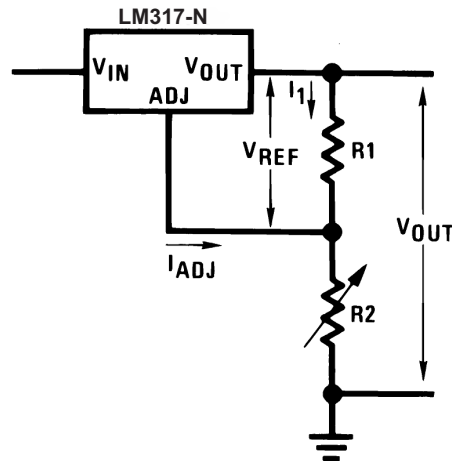


## 8 Detailed Description

### 8.1 Overview

In operation, the LM317-N develops a nominal 1.25-V reference voltage,  $V_{REF}$ , between the output and adjustment terminal. The reference voltage is impressed across program resistor R1 and, because the voltage is constant, a constant current  $I_1$  then flows through the output set resistor R2, giving an output voltage calculated by Equation 1:

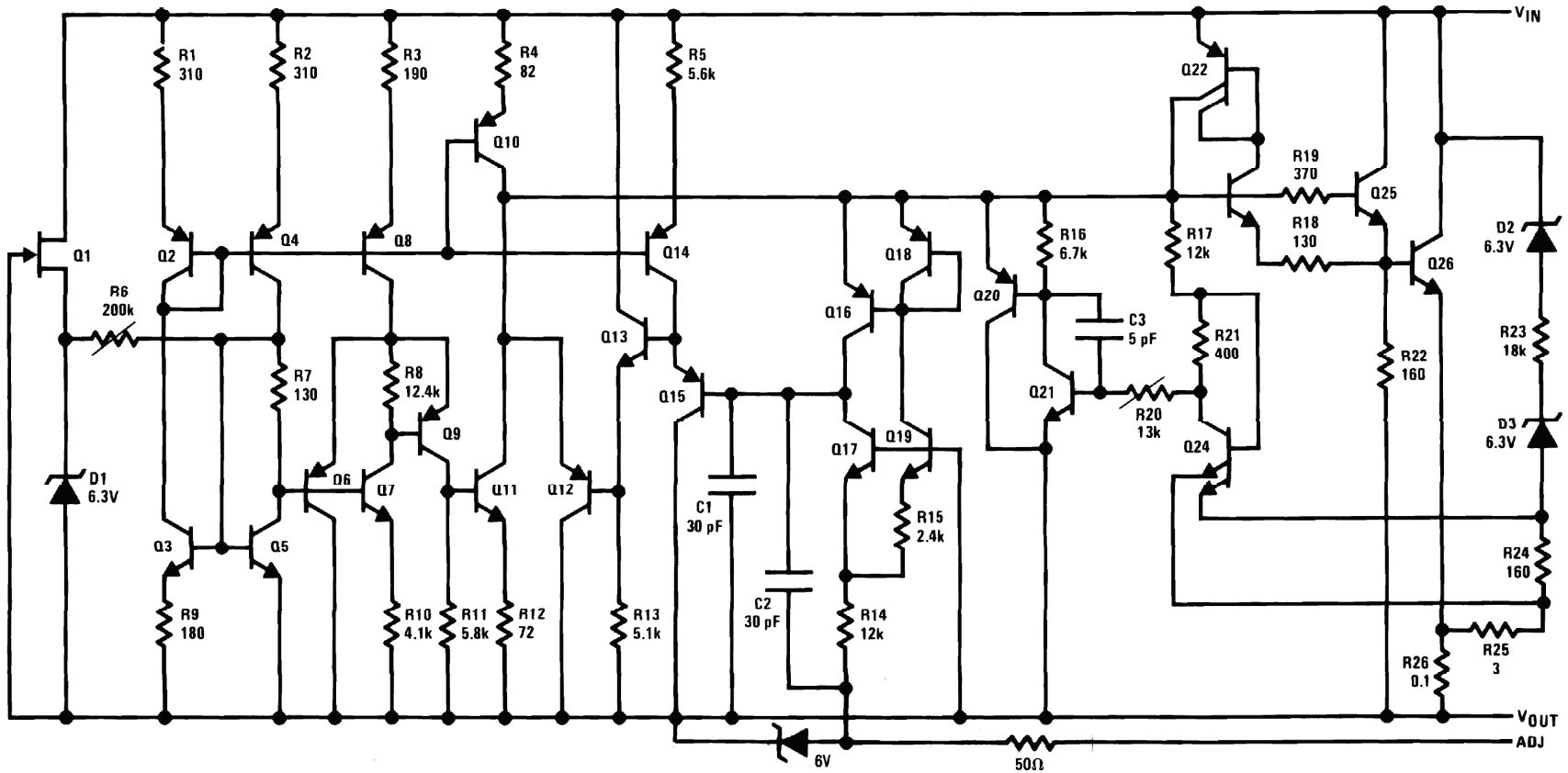
$$V_{OUT} = 1.25 \text{ V} \left( 1 + \frac{R_2}{R_1} \right) + I_{ADJ} (R_2) \quad (1)$$



**Figure 15. Setting the  $V_{OUT}$  Voltage**

Because the 100- $\mu$ A current from the adjustment terminal represents an error term, the LM317-N was designed to minimize  $I_{ADJ}$  and make it very constant with line and load changes. To do this, all quiescent operating current is returned to the output establishing a minimum load current requirement. If there is insufficient load on the output, the output will rise.

## 8.2 Functional Block Diagram

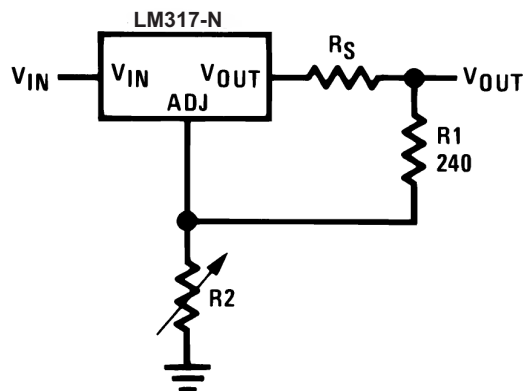


## 8.3 Feature Description

### 8.3.1 Load Regulation

The LM317-N is capable of providing extremely good load regulation but a few precautions are needed to obtain maximum performance. The current set resistor, R1, must be connected near the output terminal of the regulator rather than near the load. If R1 is placed too far from the output terminal, then the increased trace resistance,  $R_S$ , will cause an error voltage drop in the adjustment loop and degrade load regulation performance. Therefore, R1 must be placed as close as possible to the output terminal to minimize  $R_S$  and maximize load regulation performance.

Figure 16 shows the effect of the trace resistance,  $R_S$ , when R1 is placed far from the output terminal of the regulator. It is clear that  $R_S$  will cause an error voltage drop especially during higher current loads, so it is important to minimize the  $R_S$  trace resistance by keeping R1 close to the regulator output terminal.



**Figure 16. Regulator With Line Resistance in Output Lead**

With the TO-3 package, it is easy to minimize the resistance from the case to the set resistor, by using two separate leads to the case. However, with the TO package, care must be taken to minimize the wire length of the output lead. The ground of R2 can be returned near the ground of the load to provide remote ground sensing and improve load regulation.

## 8.4 Device Functional Modes

### 8.4.1 External Capacitors

An input bypass capacitor is recommended. A 0.1- $\mu\text{F}$  disc or 1- $\mu\text{F}$  solid tantalum on the input is suitable input bypassing for almost all applications. The device is more sensitive to the absence of input bypassing when adjustment or output capacitors are used, but the above values will eliminate the possibility of problems.

The adjustment terminal can be bypassed to ground on the LM317-N to improve ripple rejection. This bypass capacitor prevents ripple from being amplified as the output voltage is increased. With a 10- $\mu\text{F}$  bypass capacitor, 80-dB ripple rejection is obtainable at any output level. Increases over 10  $\mu\text{F}$  do not appreciably improve the ripple rejection at frequencies above 120 Hz. If the bypass capacitor is used, it is sometimes necessary to include protection diodes to prevent the capacitor from discharging through internal low current paths and damaging the device.

In general, the best type of capacitors to use is solid tantalum. Solid tantalum capacitors have low impedance even at high frequencies. Depending upon capacitor construction, it takes about 25  $\mu\text{F}$  in aluminum electrolytic to equal 1- $\mu\text{F}$  solid tantalum at high frequencies. Ceramic capacitors are also good at high frequencies. However, some types have a large decrease in capacitance at frequencies around 0.5 MHz. For this reason, 0.01- $\mu\text{F}$  disc may seem to work better than a 0.1- $\mu\text{F}$  disc as a bypass.

Although the LM317-N is stable with no output capacitors, like any feedback circuit, certain values of external capacitance can cause excessive ringing. This occurs with values between 500 pF and 5000 pF. A 1- $\mu\text{F}$  solid tantalum (or 25- $\mu\text{F}$  aluminum electrolytic) on the output swamps this effect and insures stability. Any increase of the load capacitance larger than 10  $\mu\text{F}$  will merely improve the loop stability and output impedance.

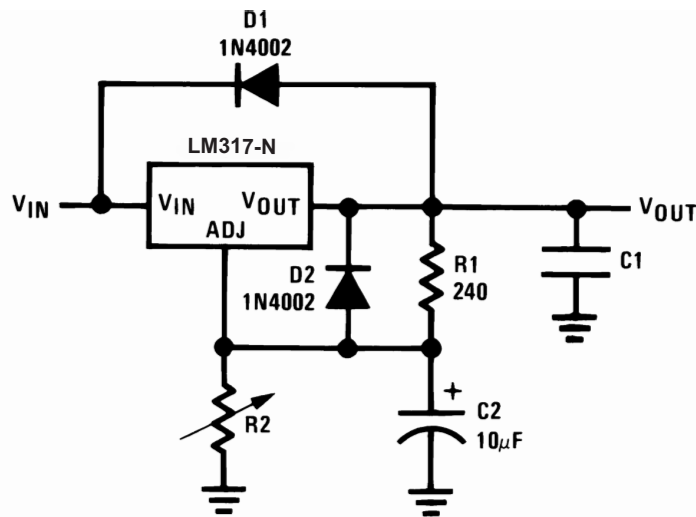
## Device Functional Modes (continued)

### 8.4.2 Protection Diodes

When external capacitors are used with any IC regulator, it is sometimes necessary to add protection diodes to prevent the capacitors from discharging through low current points into the regulator. Most 10- $\mu$ F capacitors have low enough internal series resistance to deliver 20-A spikes when shorted. Although the surge is short, there is enough energy to damage parts of the IC.

When an output capacitor is connected to a regulator and the input is shorted, the output capacitor will discharge into the output of the regulator. The discharge current depends on the value of the capacitor, the output voltage of the regulator, and the rate of decrease of  $V_{IN}$ . In the LM317-N, this discharge path is through a large junction that is able to sustain 15-A surge with no problem. This is not true of other types of positive regulators. For output capacitors of 25  $\mu$ F or less, there is no need to use diodes.

The bypass capacitor on the adjustment terminal can discharge through a low current junction. Discharge occurs when *either* the input, or the output, is shorted. Internal to the LM317-N is a 50- $\Omega$  resistor which limits the peak discharge current. No protection is needed for output voltages of 25 V or less and 10- $\mu$ F capacitance. Figure 17 shows an LM317-N with protection diodes included for use with outputs greater than 25 V and high values of output capacitance.



$$V_{OUT} = 1.25 V \left( 1 + \frac{R2}{R1} \right) + I_{ADJ} (R2)$$

D1 protects against C1

D2 protects against C2

Figure 17. Regulator With Protection Diodes

## 9 Application and Implementation

### NOTE

Information in the following applications sections is not part of the TI component specification, and TI does not warrant its accuracy or completeness. TI's customers are responsible for determining suitability of components for their purposes. Customers must validate and test their design implementation to confirm system functionality.

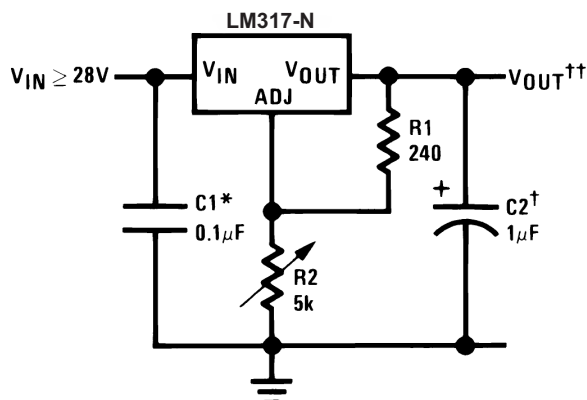
### 9.1 Application Information

The LM117 and LM317-N are versatile, high performance, linear regulators with high accuracy and a wide temperature range. An output capacitor can be added to further improve transient response, and the ADJ pin can be bypassed to achieve very high ripple-rejection ratios. Its functionality can be utilized in many different applications that require high performance regulation, such as battery chargers, constant current regulators, and microprocessor supplies.

### 9.2 Typical Applications

#### 9.2.1 1.25-V to 25-V Adjustable Regulator

The LM117 can be used as a simple, low-dropout regulator to enable a variety of output voltages needed for demanding applications. By using an adjustable R2 resistor, a variety of output voltages can be made possible as shown in [Figure 18](#).



NOTE: Full output current not available at high input-output voltages

\*Needed if device is more than 6 inches from filter capacitors.

†Optional—improves transient response. Output capacitors in the range of 1 μF to 1000 μF of aluminum or tantalum electrolytic are commonly used to provide improved output impedance and rejection of transients.

$$\dagger\dagger V_{OUT} = 1.25V \left( 1 + \frac{R2}{R1} \right) + I_{ADJ}(R2)$$

**Figure 18. 1.25-V to 25-V Adjustable Regulator**

#### 9.2.1.1 Design Requirements

The device component count is very minimal, employing two resistors as part of a voltage divider circuit and an output capacitor for load regulation. An input capacitor is needed if the device is more than 6 inches from filter capacitors. An optional bypass capacitor across R2 can also be used to improve PSRR.

#### 9.2.1.2 Detailed Design Procedure

The output voltage is set based on the selection of the two resistors, R1 and R2, as shown in [Figure 18](#). For details on capacitor selection, refer to [External Capacitors](#).



## Typical Applications (continued)

### 9.2.1.3 Application Curve

As shown in Figure 19,  $V_{OUT}$  will rise with  $V_{IN}$  minus some dropout voltage. This dropout voltage during startup will vary with  $R_{OUT}$ .

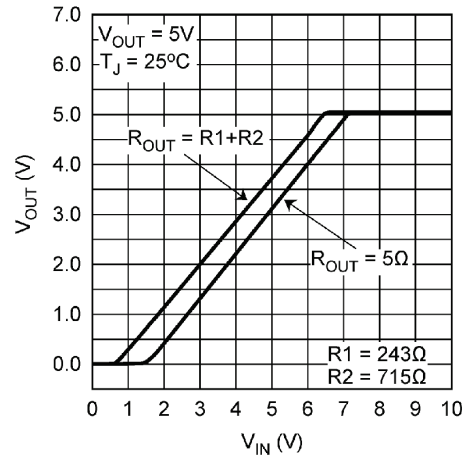
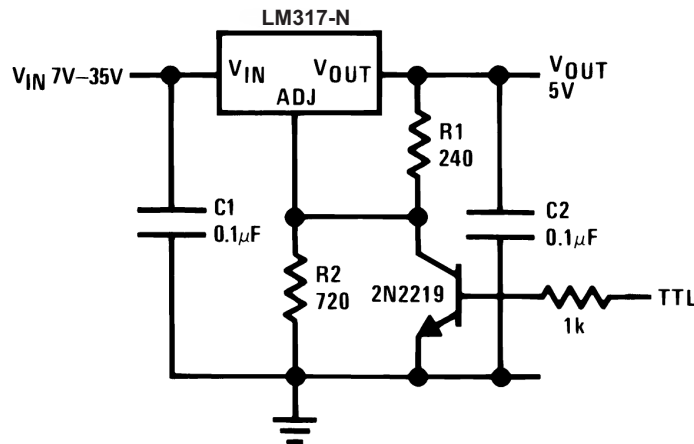


Figure 19.  $V_{OUT}$  vs  $V_{IN}$ ,  $V_{OUT} = 5V$

### 9.2.2 5-V Logic Regulator With Electronic Shutdown

Figure 20 shows a variation of the 5-V output regulator application uses the L117 along with an NPN transistor to provide shutdown control. The NPN will either block or sink the current from the ADJ pin by responding to the TTL pin logic. When TTL is pulled high, the NPN is on and pulls the ADJ pin to GND, and the LM117 outputs about 1.25 V. When TTL is pulled low, the NPN is off and the regulator outputs according to the programmed adjustable voltage.



NOTE: Min. output  $\cong$  1.2 V

Figure 20. 5-V Logic Regulator With Electronic Shutdown

## Typical Applications (continued)

### 9.2.3 Slow Turnon 15-V Regulator

An application of LM117 includes a PNP transistor with a capacitor to implement slow turnon functionality (see [Figure 21](#)). As  $V_{IN}$  rises, the PNP sinks current from the ADJ rail. The output voltage at start up is the addition of the 1.25-V reference plus the drop across the base to emitter. While this is happening, the capacitor begins to charge and eventually opens the PNP. At this point, the device functions normally, regulating the output at 15 V. A diode is placed between C1 and  $V_{OUT}$  to provide a path for the capacitor to discharge. Such controlled turnon is useful for limiting the in-rush current.

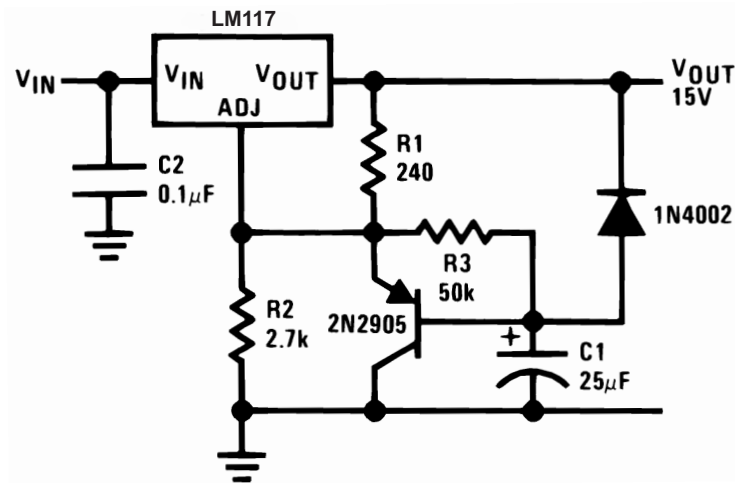
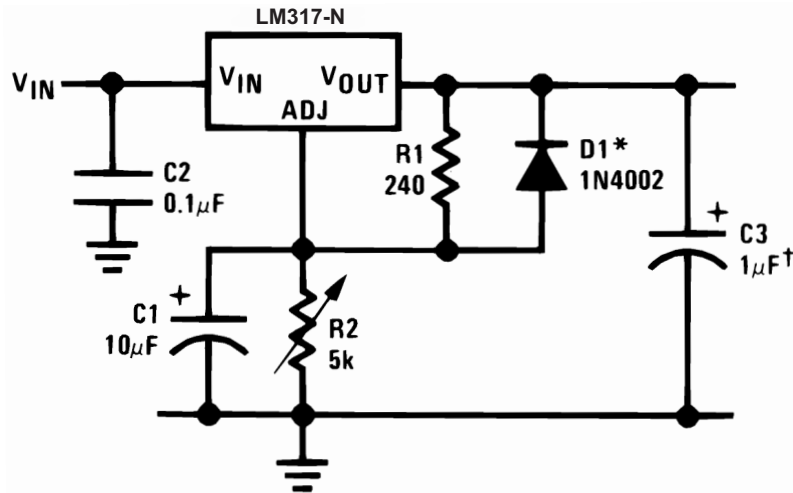


Figure 21. Slow Turnon 15-V Regulator

## Typical Applications (continued)

### 9.2.4 Adjustable Regulator With Improved Ripple Rejection

To improve ripple rejection, a capacitor is used to bypass the ADJ pin to GND (see Figure 22). This is used to smooth output ripple by cleaning the feedback path and stopping unnecessary noise from being fed back into the device, propagating the noise.



NOTE: †Solid tantalum

\*Discharges C1 if output is shorted to ground

Figure 22. Adjustable Regulator With Improved Ripple Rejection

### 9.2.5 High Stability 10-V Regulator

Using a high stability shunt voltage reference in the feedback path, such as the LM329, provides damping necessary for a stable, low noise output (see Figure 23).

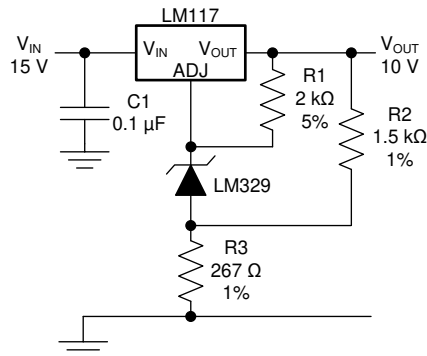


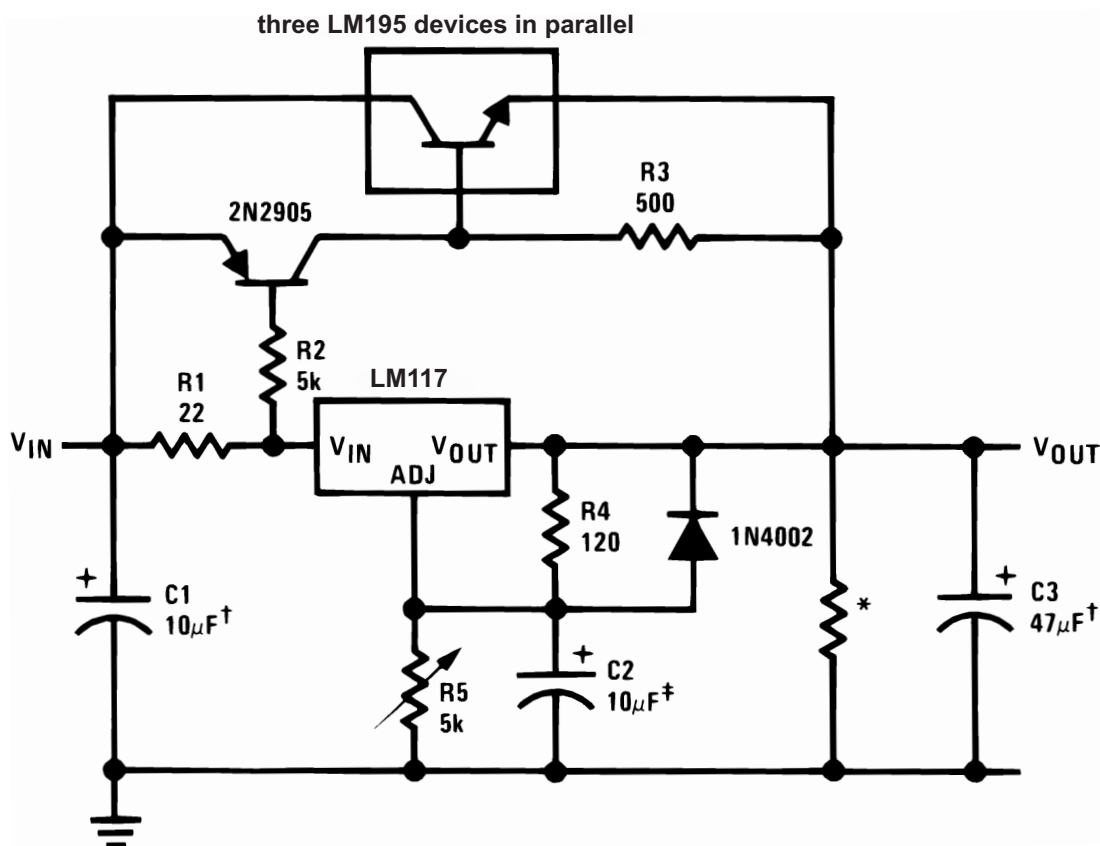
Figure 23. High Stability 10-V Regulator

**Typical Applications (continued)**
**9.2.6 High-Current Adjustable Regulator**

Using the LM195 power transistor in parallel with the LM117 can increase the maximum possible output load current (see [Figure 24](#)). Sense resistor R1 provides the 0.6 V across base to emitter to turn on the PNP. This on switch allows current to flow, and the voltage drop across R3 drives three LM195 power transistors designed to carry an excess of 1 A each.

**NOTE**

The selection of R1 determines a minimum load current for the PNP to turn on. The higher the resistor value, the lower the load current must be before the transistors turn on.



NOTE: ‡Optional—improves ripple rejection

†Solid tantalum

\*Minimum load current = 30 mA

**Figure 24. High-Current Adjustable Regulator**

## Typical Applications (continued)

### 9.2.7 Emitter-Follower Current Amplifier

The LM117 is used as a constant current source in the emitter follower circuit (see Figure 25). The LM195 power transistor is being used as a current gain amplifier, boosting the INPUT current. The LM117 provides a stable current bias than just using a resistor.

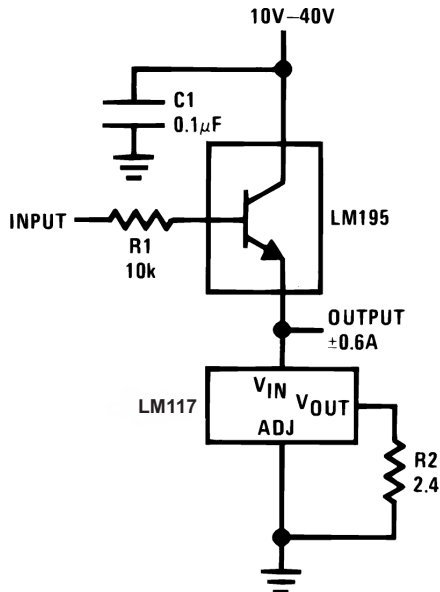


Figure 25. Emitter-Follower Current Amplifier

### 9.2.8 1-A Current Regulator

A simple, fixed current regulator can be made by placing a resistor between the V<sub>OUT</sub> and ADJ pins of the LM117 (see Figure 26). By regulating a constant 1.25 V between these two terminals, a constant current is delivered to the load.

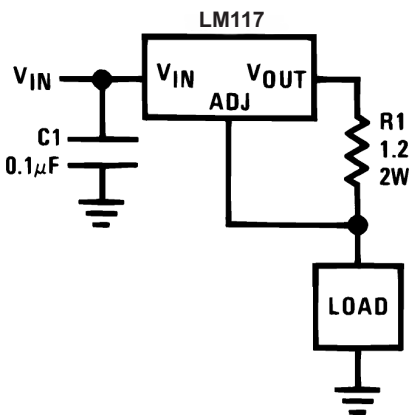
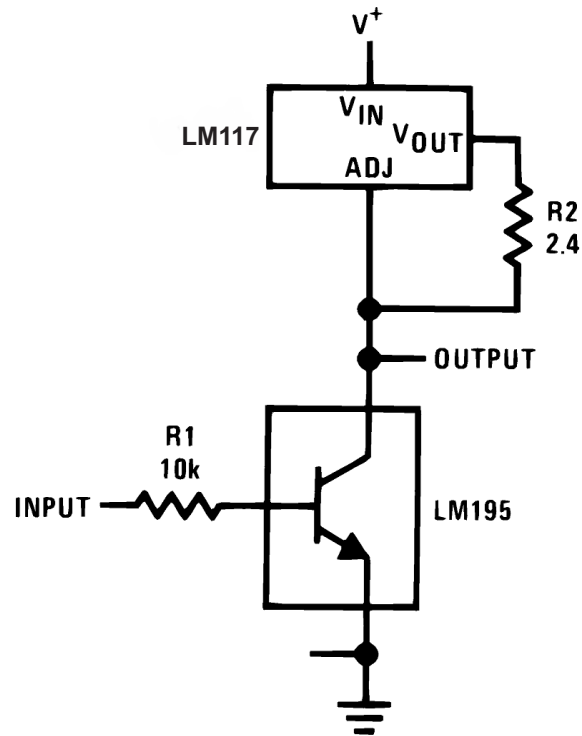


Figure 26. 1-A Current Regulator

## Typical Applications (continued)

### 9.2.9 Common-Emitter Amplifier

Sometimes it is necessary to use a power transistor for high current gain. In this case, the LM117 provides constant current at the collector of the LM195 in this common emitter application (see [Figure 27](#)). The 1.25-V reference between  $V_{OUT}$  and ADJ is maintained across the 2.4- $\Omega$  resistor, providing about 500-mA constant bias current into the collector of the LM195.

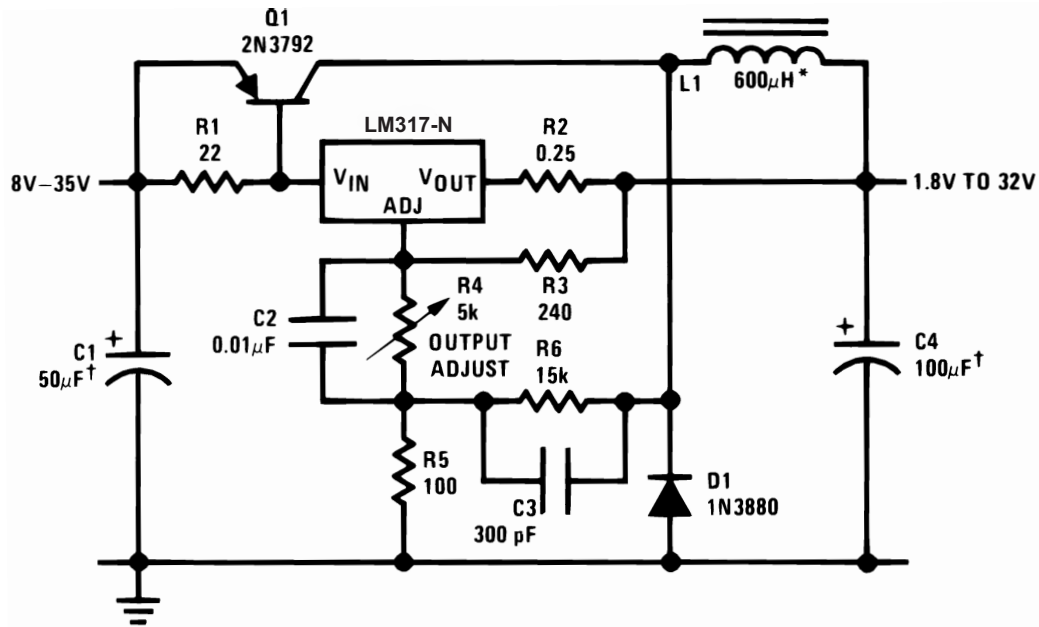


**Figure 27. Common-Emitter Amplifier**

Typical Applications (continued)

9.2.10 Low-Cost 3-A Switching Regulator

The LM317-N can be used in a switching buck regulator application in cost sensitive applications that require high efficiency. The switch node above D1 oscillates between ground and VIN, as the voltage across sense resistor R1 drives the power transistor on and off. Figure 28 exhibits self-oscillating behavior by negative feedback through R6 and C3 to the ADJ pin of the LM317-N.



NOTE: †Solid tantalum

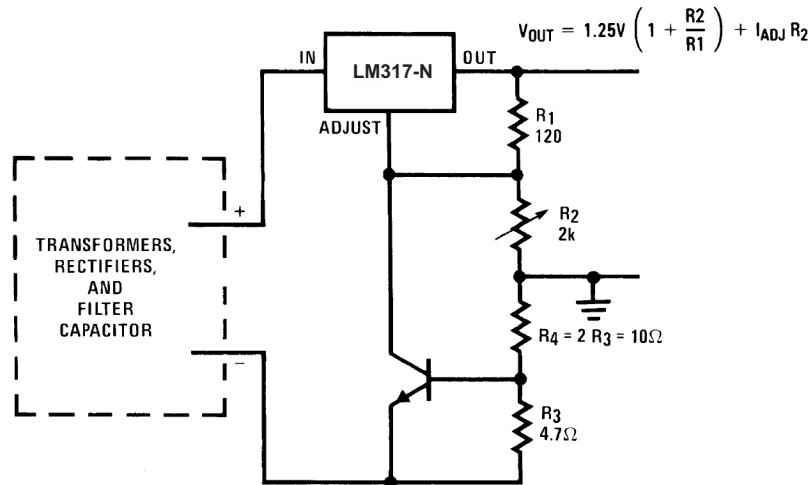
\*Core—Arnold A-254168-2 60 turns

Figure 28. Low-Cost 3-A Switching Regulator

Typical Applications (continued)

9.2.11 Current-Limited Voltage Regulator

A maximum limit on output current can be set using the circuit shown in Figure 29. The load current travels through R3 and R4. As the load current increases, the voltage drop across R3 increases until the NPN transistor is driven, during which the ADJ pin is pulled down to ground and the output voltage is pulled down to the reference voltage of 1.25 V.



—Short circuit current is approximately  $\frac{600\text{ mV}}{R_3}$ , or 210 mA

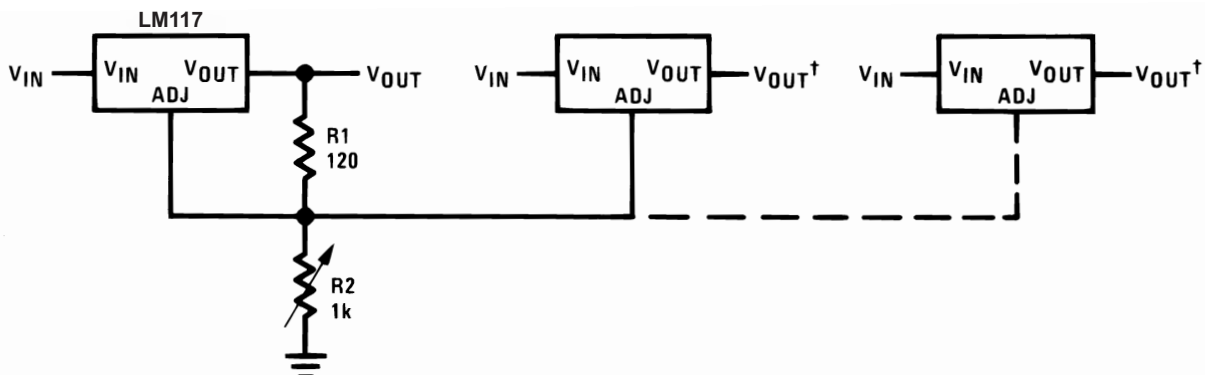
(Compared to LM117's higher current limit)

—At 50 mA output only  $\frac{3}{4}$  volt of drop occurs in R<sub>3</sub> and R<sub>4</sub>

Figure 29. Current-Limited Voltage Regulator

9.2.12 Adjusting Multiple On-Card Regulators With Single Control

Figure 30 shows how multiple LM117 regulators can be controlled by setting one resistor. Because each device maintains the reference voltage of about 1.25 V between its V<sub>OUT</sub> and ADJ pins, we can connect each ADJ rail to a single resistor, setting the same output voltage across all devices. This allows for independent outputs, each responding to its corresponding input only. Designers must also consider that by the nature of the circuit, changes to R1 and R2 will affect all regulators.



NOTE: \*All outputs within ±100 mV  
 †Minimum load—10 mA

Figure 30. Adjusting Multiple On-Card Regulators With Single Control



## Typical Applications (continued)

### 9.2.13 AC Voltage Regulator

In Figure 31, the top regulator is +6 V above the bottom regulator. It is clear that when the input rises above +6 V plus the dropout voltage, only the top LM317-N regulates +6 V at the output. When the input falls below –6 V minus the dropout voltage, only the bottom LM317-N regulates –6 V at the output. For regions where the output is not clipped, there is no regulation taking place, so the output follows the input.

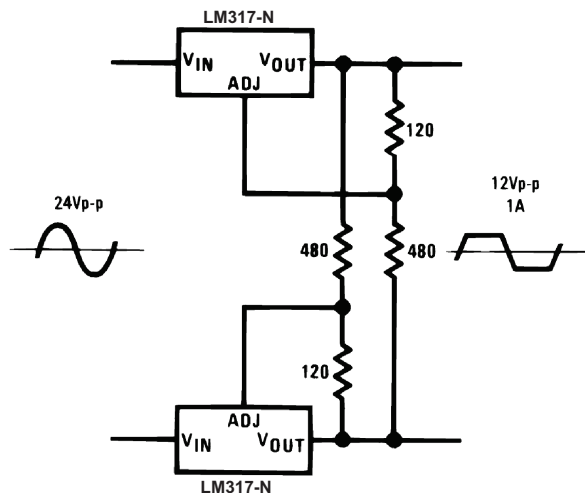
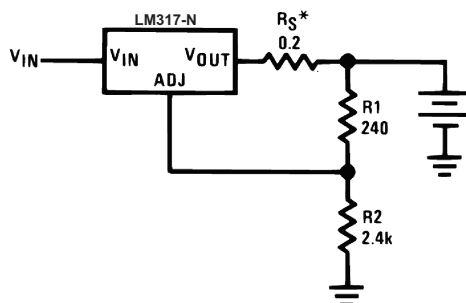


Figure 31. AC Voltage Regulator

### 9.2.14 12-V Battery Charger

The LM317-N can be used in a battery charger application shown in Figure 32, where the device maintains either constant voltage or constant current mode depending on the current charge of the battery. To do this, the part senses the voltage drop across the battery and delivers the maximum charging current necessary to charge the battery. When the battery charge is low, there exists a voltage drop across the sense resistor  $R_S$ , providing constant current to the battery at that instant. As the battery approaches full charge, the potential drop across  $R_S$  approaches zero, reducing the current and maintaining the fixed voltage of the battery.



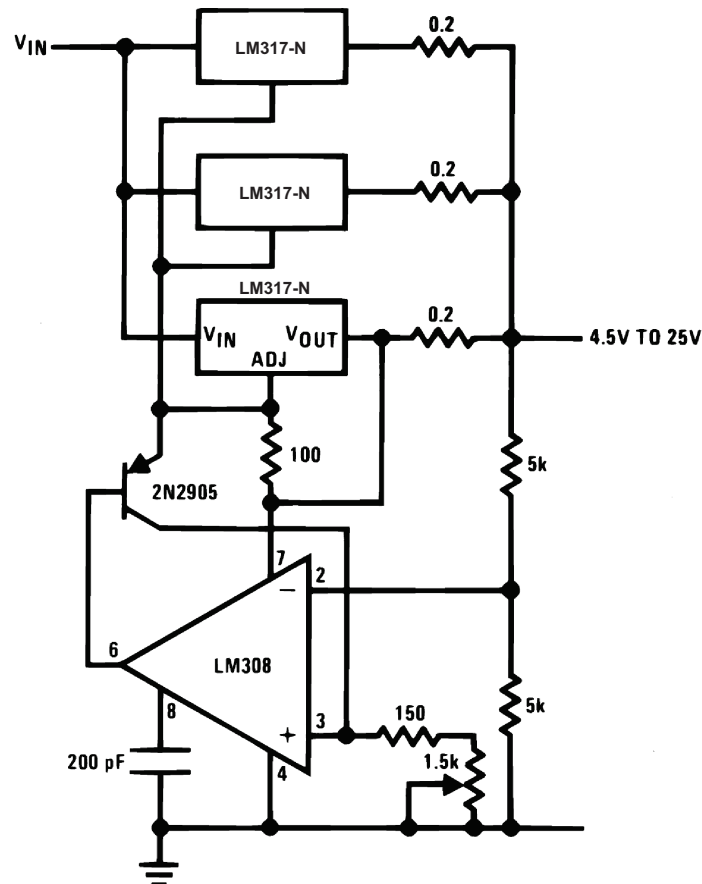
$$*R_S\text{—sets output impedance of charger: } Z_{OUT} = R_S \left( 1 + \frac{R_2}{R_1} \right)$$

Use of  $R_S$  allows low charging rates with fully charged battery.

Figure 32. 12-V Battery Charger

**Typical Applications (continued)**
**9.2.15 Adjustable 4-A Regulator**

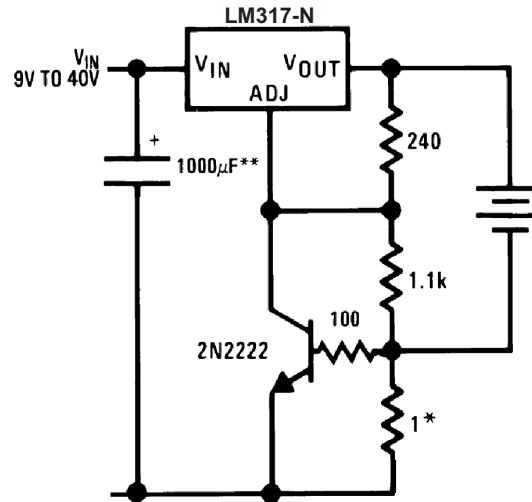
Using three LM317-N devices in parallel increases load current capability (Figure 33). Output voltage is set by the variable resistor tied to the non-inverting terminal of the operational amplifier, and reference current to the transistor is developed across the 100  $\Omega$  resistor. When output voltage rises, the operational amplifier corrects by drawing current from the base, closing the transistor. This effectively pulls ADJ down and lowers the output voltage through negative feedback.


**Figure 33. Adjustable 4-A Regulator**

## Typical Applications (continued)

### 9.2.16 Current-Limited 6-V Charger

The current in a battery charger application is limited by switching between constant current and constant voltage states (see Figure 34). When the battery pulls low current, the drop across the 1 Ω resistor is not substantial and the NPN remains off. A constant voltage is seen across the battery, as regulated by the resistor divider. When current through the battery rises past peak current, the 1 Ω provides enough voltage to turn the transistor on, pulling ADJ close to ground. This results in limiting the maximum current to the battery.



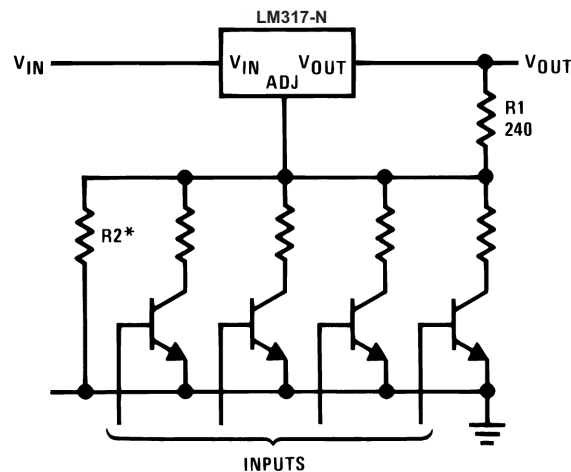
\*Sets peak current (0.6A for 1Ω)

\*\*The 1000-μF is recommended to filter out input transients

Figure 34. Current-Limited 6-V Charger

### 9.2.17 Digitally Selected Outputs

Figure 35 demonstrates a digitally selectable output voltage. In its default state, all transistors are off and the output voltage is set based on R1 and R2. By driving certain transistors, the associated resistor is connected in parallel to R2, modifying the output voltage of the regulator.



\*Sets maximum V<sub>OUT</sub>

Figure 35. Digitally Selected Outputs

$$V_{OUT} = V_{REF} \left( 1 + \frac{R2}{R1} \right) + I_{ADJ}R2$$

(2)

## 10 Power Supply Recommendations

The input supply to the LM117 and LM317-N must be kept at a voltage level such that its maximum input to output differential voltage is not exceeded. The minimum dropout voltage must also be met with extra headroom when possible to keep the LM117 and LM317-N in regulation. An input capacitor is recommended, especially when the input pin is located more than 6 inches away from the power supply source. For more information regarding capacitor selection, refer to [External Capacitors](#).

## 11 Layout

### 11.1 Layout Guidelines

Some layout guidelines must be followed to ensure proper regulation of the output voltage with minimum noise. Traces carrying the load current must be wide to reduce the amount of parasitic trace inductance and the feedback loop from  $V_{OUT}$  to ADJ must be kept as short as possible. To improve PSRR, a bypass capacitor can be placed at the ADJ pin and must be located as close as possible to the IC. In cases when  $V_{IN}$  shorts to ground, an external diode must be placed from  $V_{OUT}$  to  $V_{IN}$  to divert the surge current from the output capacitor and protect the IC. Similarly, in cases when a large bypass capacitor is placed at the ADJ pin and  $V_{OUT}$  shorts to ground, an external diode must be placed from ADJ to  $V_{OUT}$  to provide a path for the bypass capacitor to discharge. These diodes must be placed close to the corresponding IC pins to increase their effectiveness.

#### 11.1.1 Thermal Considerations

##### 11.1.1.1 Heatsink Requirements

The LM317-N regulators have internal thermal shutdown to protect the device from over-heating. Under all operating conditions, the junction temperature of the LM317-N must not exceed the rated maximum junction temperature ( $T_J$ ) of 150°C for the LM117, or 125°C for the LM317-N. A heatsink may be required depending on the maximum device power dissipation and the maximum ambient temperature of the application. To determine if a heatsink is needed, the power dissipated by the regulator,  $P_D$ , must be calculate with [Equation 3](#):

$$P_D = ((V_{IN} - V_{OUT}) \times I_L) + (V_{IN} \times I_G) \quad (3)$$

[Figure 36](#) shows the voltage and currents which are present in the circuit.

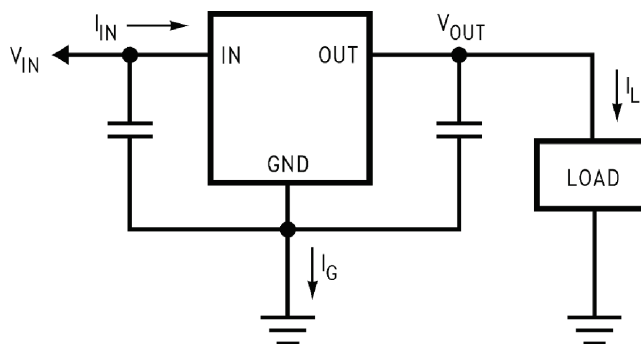
The next parameter which must be calculated is the maximum allowable temperature rise,  $T_{R(MAX)}$  in [Equation 4](#):

$$T_{R(MAX)} = T_{J(MAX)} - T_{A(MAX)} \quad (4)$$

where  $T_{J(MAX)}$  is the maximum allowable junction temperature (150°C for the LM117, or 125°C for the LM317-N), and  $T_{A(MAX)}$  is the maximum ambient temperature that will be encountered in the application.

Using the calculated values for  $T_{R(MAX)}$  and  $P_D$ , the maximum allowable value for the junction-to-ambient thermal resistance ( $R_{\theta JA}$ ) can be calculated with [Equation 5](#):

$$R_{\theta JA} = (T_{R(MAX)} / P_D) \quad (5)$$



**Figure 36. Power Dissipation Diagram**

## Layout Guidelines (continued)

If the calculated maximum allowable thermal resistance is higher than the actual package rating, then no additional work is needed. If the calculated maximum allowable thermal resistance is lower than the actual package rating either the power dissipation ( $P_D$ ) needs to be reduced, the maximum ambient temperature  $T_{A(MAX)}$  needs to be reduced, the thermal resistance ( $R_{\theta JA}$ ) must be lowered by adding a heatsink, or some combination of these.

If a heatsink is needed, the value can be calculated from [Equation 6](#):

$$\theta_{HA} \leq (R_{\theta JA} - (\theta_{CH} + R_{\theta JC}))$$

where

- $\theta_{CH}$  is the thermal resistance of the contact area between the device case and the heatsink surface
- $R_{\theta JC}$  is thermal resistance from the junction of the die to surface of the package case

When a value for  $\theta_{HA}$  is found using the equation shown, a heatsink must be selected that has a value that is less than, or equal to, this number.

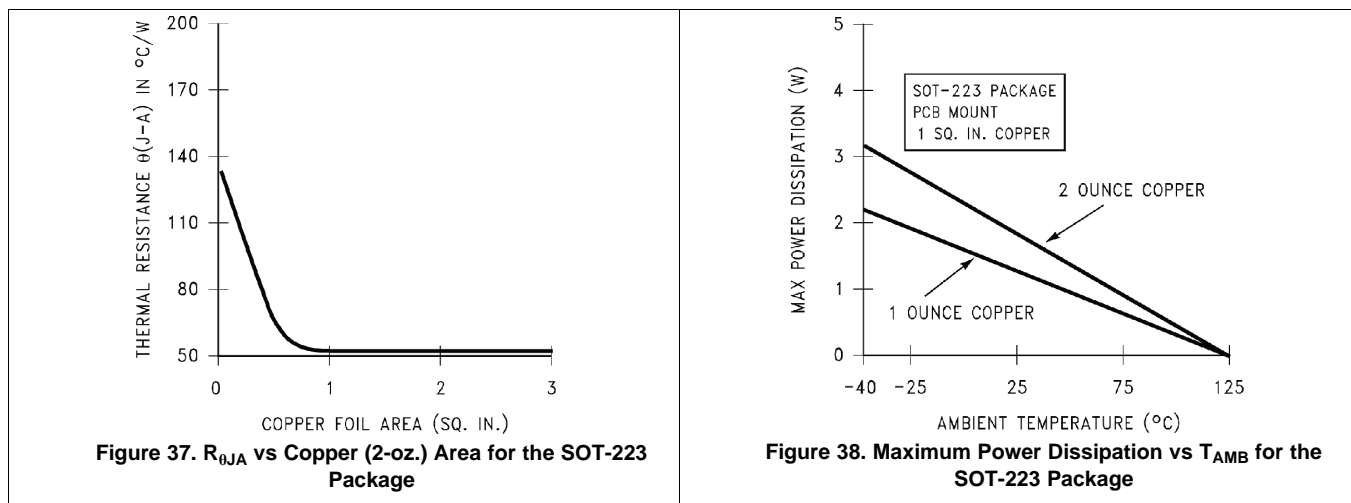
The  $\theta_{HA}$  rating is specified numerically by the heatsink manufacturer in the catalog, or shown in a curve that plots temperature rise vs power dissipation for the heatsink.

### 11.1.1.2 Heatsinking Surface Mount Packages

The TO-263 (KTT), SOT-223 (DCY) and TO-252 (NDP) packages use a copper plane on the PCB and the PCB itself as a heatsink. To optimize the heat sinking ability of the plane and PCB, solder the tab of the package to the plane.

#### 11.1.1.2.1 Heatsinking the SOT-223 (DCY) Package

[Figure 37](#) and [Figure 38](#) show the information for the SOT-223 package. [Figure 38](#) assumes a  $R_{\theta JA}$  of  $74^\circ\text{C/W}$  for 1-oz. copper and  $59.6^\circ\text{C/W}$  for 2-oz. copper and a maximum junction temperature of  $125^\circ\text{C}$ . See the [AN-1028 Maximum Power Enhancement Techniques for Power Packages](#) application note for thermal enhancement techniques to be used with SOT-223 and TO-252 packages.



## Layout Guidelines (continued)

### 11.1.1.2.2 Heatsinking the TO-263 (KTT) Package

Figure 39 shows for the TO-263 the measured values of  $R_{\theta JA}$  for different copper area sizes using a typical PCB with 1-oz. copper and no solder mask over the copper area used for heatsinking.

As shown in Figure 39, increasing the copper area beyond 1 square inch produces very little improvement. It must also be observed that the minimum value of  $R_{\theta JA}$  for the TO-263 package mounted to a PCB is  $32^{\circ}\text{C}/\text{W}$ .

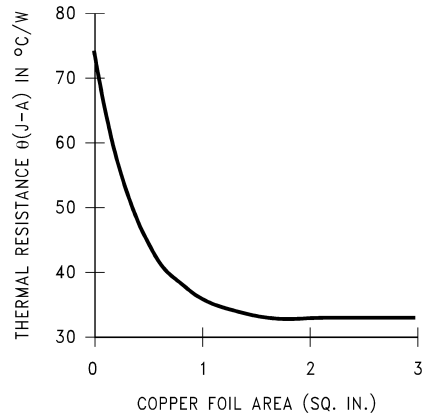


Figure 39.  $R_{\theta JA}$  vs Copper (1-oz.) Area for the TO-263 Package

As a design aid, Figure 40 shows the maximum allowable power dissipation compared to ambient temperature for the TO-263 device (assuming  $R_{\theta JA}$  is  $35^{\circ}\text{C}/\text{W}$  and the maximum junction temperature is  $125^{\circ}\text{C}$ ).

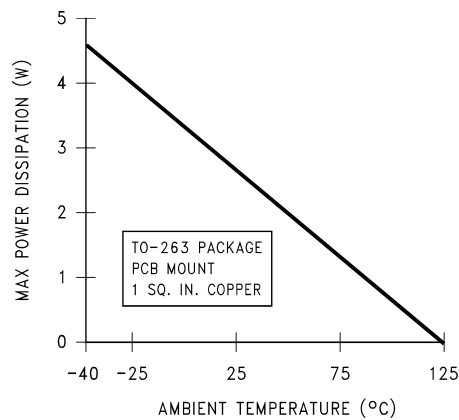


Figure 40. Maximum Power Dissipation vs  $T_{AMB}$  for the TO-263 Package

### 11.1.1.2.3 Heatsinking the TO-252 (NDP) Package

If the maximum allowable value for  $R_{\theta JA}$  is found to be  $\geq 54^{\circ}\text{C}/\text{W}$  (typical rated value) for the TO-252 package, no heatsink is needed because the package alone will dissipate enough heat to satisfy these requirements. If the calculated value for  $R_{\theta JA}$  falls below these limits, a heatsink is required.

As a design aid, Table 1 shows the value of the  $R_{\theta JA}$  of NDP the package for different heatsink area. The copper patterns that we used to measure these  $R_{\theta JA}$ s are shown in Figure 45. Figure 41 reflects the same test results as what are in Table 1.

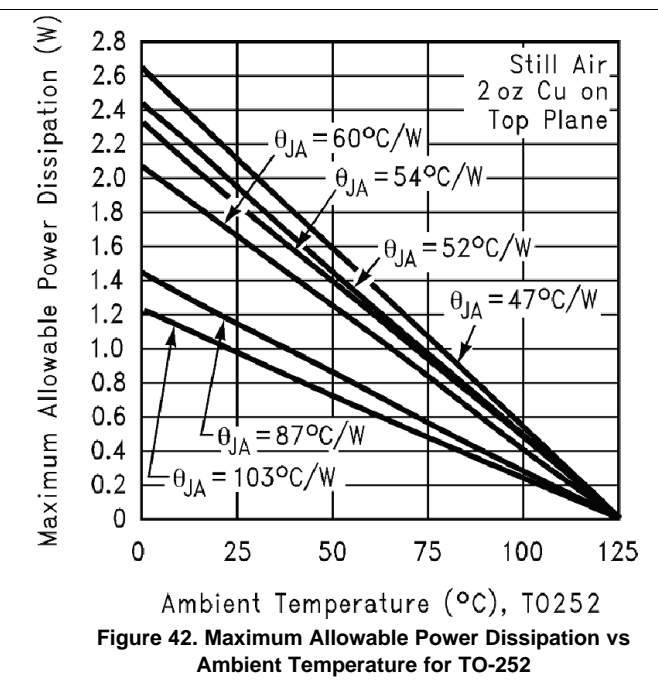
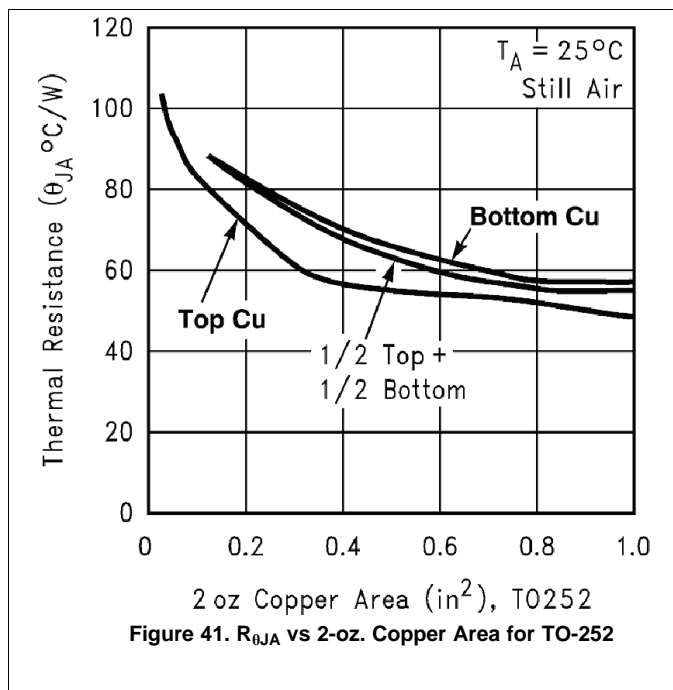
Figure 42 shows the maximum allowable power dissipation versus ambient temperature for the TO-252 device. Figure 43 shows the maximum allowable power dissipation versus copper area ( $\text{in}^2$ ) for the TO-252 device. See the [AN-1028 Maximum Power Enhancement Techniques for Power Packages application note](#) for thermal enhancement techniques to be used with SOT-223 and TO-252 packages.

Layout Guidelines (continued)

Table 1.  $R_{\theta JA}$  Different Heatsink Area

| LAYOUT | COPPER AREA                                |                                | THERMAL RESISTANCE<br>( $R_{\theta JA}$ °C/W) TO-252 |
|--------|--|--------------------------------|--|
|        | Top Side (in <sup>2</sup> ) <sup>(1)</sup> | Bottom Side (in <sup>2</sup> ) |  |
| 1      | 0.0123                                     | 0                              | 103  |
| 2      | 0.066                                      | 0                              | 87   |
| 3      | 0.3  | 0                              | 60   |
| 4      | 0.53                                       | 0                              | 54   |
| 5      | 0.76                                       | 0                              | 52   |
| 6      | 1.0  | 0                              | 47   |
| 7      | 0.066                                      | 0.2                            | 84   |
| 8      | 0.066                                      | 0.4                            | 70   |
| 9      | 0.066                                      | 0.6                            | 63   |
| 10     | 0.066                                      | 0.8                            | 57   |
| 11     | 0.066                                      | 1.0                            | 57   |
| 12     | 0.066                                      | 0.066                          | 89   |
| 13     | 0.175                                      | 0.175                          | 72   |
| 14     | 0.284                                      | 0.284                          | 61   |
| 15     | 0.392                                      | 0.392                          | 55   |
| 16     | 0.5  | 0.5                            | 53   |

(1) Tab of device attached to topside of copper.



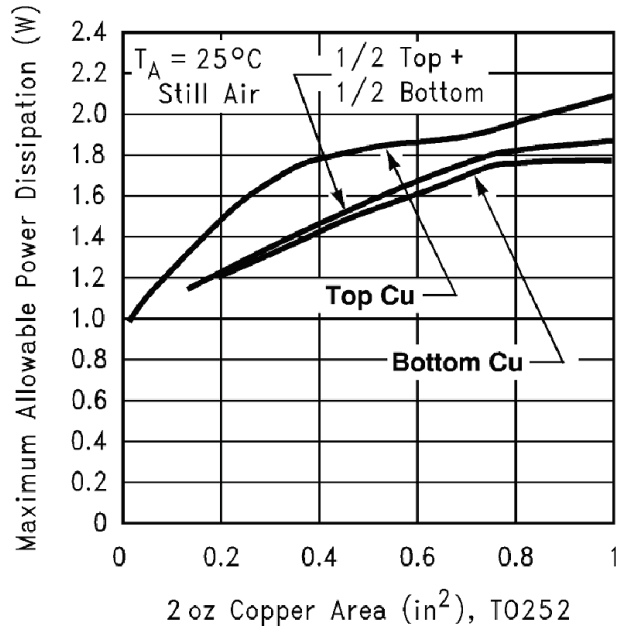


Figure 43. Maximum Allowable Power Dissipation vs 2-oz. Copper Area for TO-252

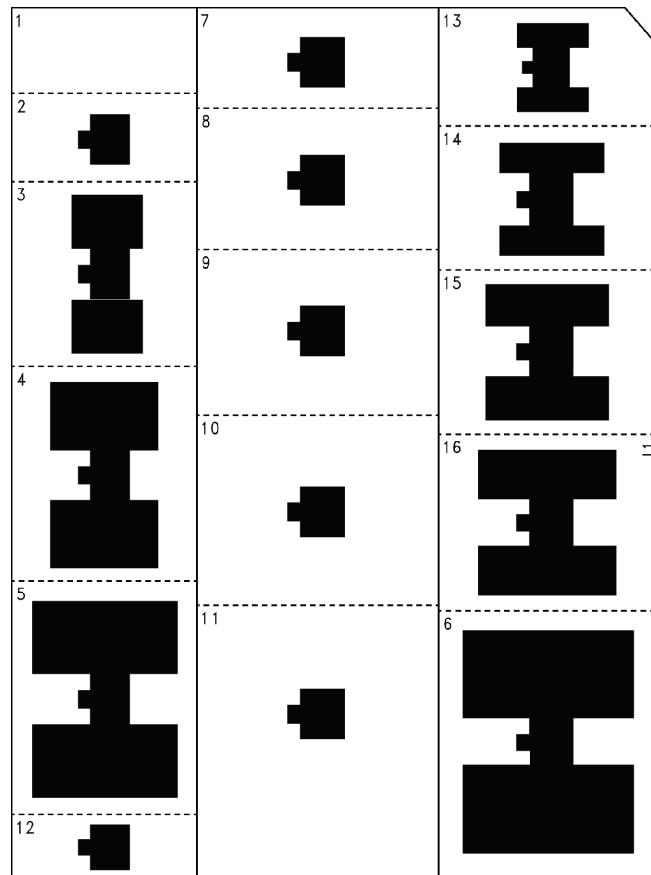
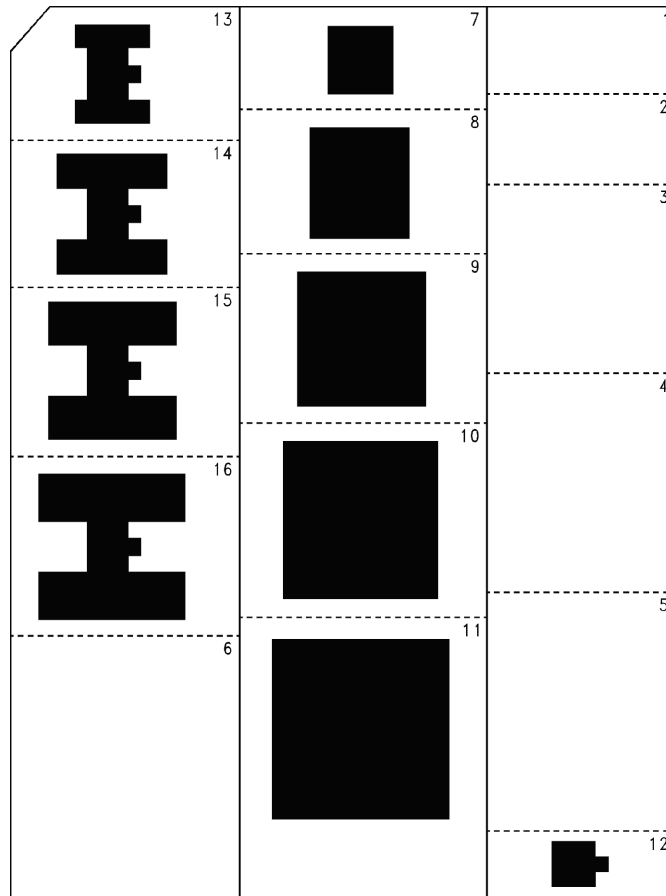


Figure 44. Top View of the Thermal Test Pattern in Actual Scale





**Figure 45. Bottom View of the Thermal Test Pattern in Actual Scale**

## 11.2 Layout Examples

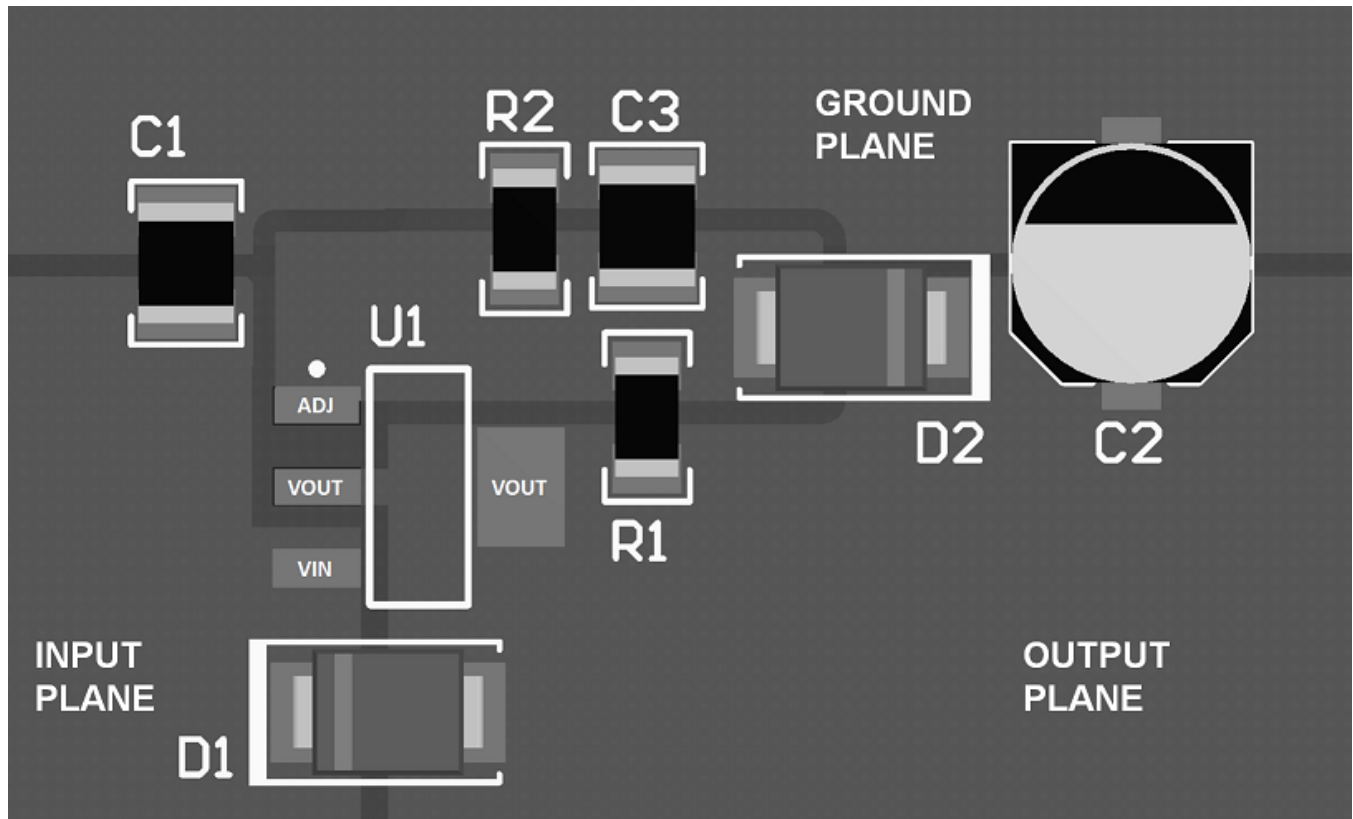


Figure 46. Layout Example (SOT-223)

Layout Examples (continued)

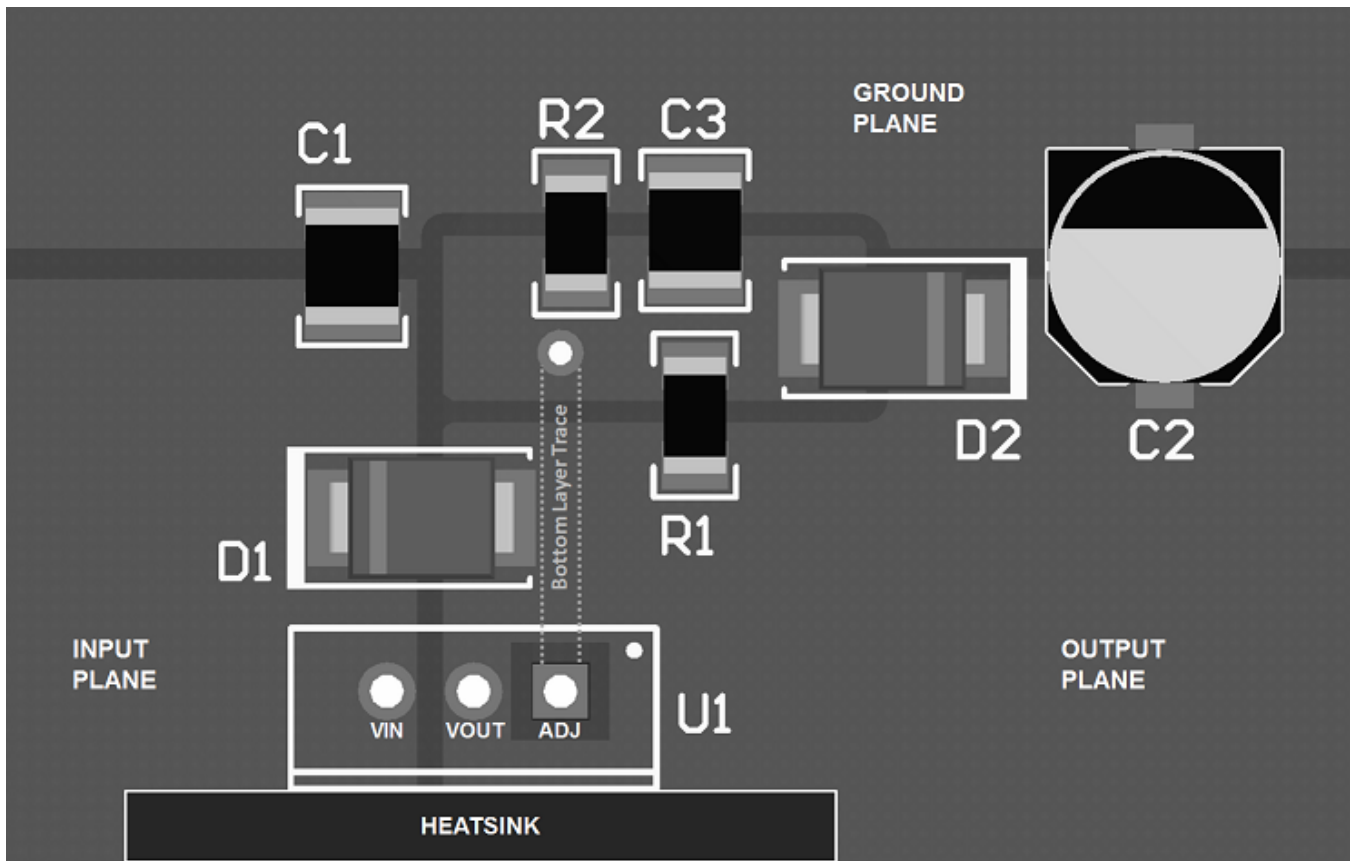


Figure 47. Layout Example (TO-220)

## 12 Device and Documentation Support

### 12.1 Documentation Support

#### 12.1.1 Related Documentation

For related documentation see the following:

- Texas Instruments, [LM150/LM350A/LM350 3-Amp Adjustable Regulators data sheet](#)
- Texas Instruments, [LM138 and LM338 5-Amp Adjustable Regulators data sheet](#)
- Texas Instruments, [LM137, LM337-N 3-Terminal Adjustable Negative Regulators data sheet](#)
- Texas Instruments, [LM117QML 3-Terminal Adjustable Regulator data sheet](#)
- Texas Instruments, [LM117JAN 3-Terminal Adjustable Regulator data sheet](#)
- Texas Instruments, [AN-1028 Maximum Power Enhancement Techniques for Power Packages application note](#)

### 12.2 Related Links

The table below lists quick access links. Categories include technical documents, support and community resources, tools and software, and quick access to order now.

**Table 2. Related Links**

| PARTS   | PRODUCT FOLDER             | ORDER NOW                  | TECHNICAL DOCUMENTS        | TOOLS & SOFTWARE           | SUPPORT & COMMUNITY        |
|---------|----------------------------|----------------------------|----------------------------|----------------------------|----------------------------|
| LM117   | <a href="#">Click here</a> | <a href="#">Click here</a> | <a href="#">Click here</a> | <a href="#">Click here</a> | <a href="#">Click here</a> |
| LM317-N | <a href="#">Click here</a> | <a href="#">Click here</a> | <a href="#">Click here</a> | <a href="#">Click here</a> | <a href="#">Click here</a> |

### 12.3 Receiving Notification of Documentation Updates

To receive notification of documentation updates, navigate to the device product folder on ti.com. In the upper right corner, click on *Alert me* to register and receive a weekly digest of any product information that has changed. For change details, review the revision history included in any revised document.

### 12.4 Support Resources

[TI E2E™ support forums](#) are an engineer's go-to source for fast, verified answers and design help — straight from the experts. Search existing answers or ask your own question to get the quick design help you need.

Linked content is provided "AS IS" by the respective contributors. They do not constitute TI specifications and do not necessarily reflect TI's views; see TI's [Terms of Use](#).

### 12.5 Trademarks

E2E is a trademark of Texas Instruments.

All other trademarks are the property of their respective owners.

### 12.6 Electrostatic Discharge Caution



This integrated circuit can be damaged by ESD. Texas Instruments recommends that all integrated circuits be handled with appropriate precautions. Failure to observe proper handling and installation procedures can cause damage.

ESD damage can range from subtle performance degradation to complete device failure. Precision integrated circuits may be more susceptible to damage because very small parametric changes could cause the device not to meet its published specifications.

### 12.7 Glossary

[SLYZ022](#) — *TI Glossary*.

This glossary lists and explains terms, acronyms, and definitions.

### **13 Mechanical, Packaging, and Orderable Information**

The following pages include mechanical, packaging, and orderable information. This information is the most current data available for the designated devices. This data is subject to change without notice and revision of this document. For browser-based versions of this data sheet, refer to the left-hand navigation.

**PACKAGING INFORMATION**

| Orderable Device  | Status<br>(1) | Package Type     | Package Drawing | Pins | Package Qty | Eco Plan<br>(2)      | Lead finish/<br>Ball material<br>(6) | MSL Peak Temp<br>(3) | Op Temp (°C) | Device Marking<br>(4/5) | Samples |
|-------------------|---------------|------------------|-----------------|------|-------------|----------------------|--------------------------------------|----------------------|--------------|-------------------------|---------|
| LM117H            | LIFEBUY       | TO               | NDT             | 3    | 500         | RoHS & Green         | AU                                   | Level-1-NA-UNLIM     | -55 to 150   | ( LM117HP+, LM117H P+)  |         |
| LM117H/NOPB       | LIFEBUY       | TO               | NDT             | 3    | 500         | RoHS & Green         | AU                                   | Level-1-NA-UNLIM     | -55 to 150   | ( LM117HP+, LM117H P+)  |         |
| LM117K            | ACTIVE        | TO-3             | NDS             | 2    | 50          | Non-RoHS & Non-Green | Call TI                              | Call TI              | -55 to 125   | LM117K STEELP+          | Samples |
| LM117K STEEL      | ACTIVE        | TO-3             | NDS             | 2    | 50          | Non-RoHS & Non-Green | Call TI                              | Call TI              | -55 to 150   | LM117K STEELP+          | Samples |
| LM117K STEEL/NOPB | ACTIVE        | TO-3             | NDS             | 2    | 50          | RoHS & Green         | Call TI                              | Level-1-NA-UNLIM     | -55 to 150   | LM117K STEELP+          | Samples |
| LM317EMP          | LIFEBUY       | SOT-223          | DCY             | 4    | 1000        | Non-RoHS & Green     | Call TI                              | Level-1-260C-UNLIM   | 0 to 125     | N01A                    |         |
| LM317EMP/NOPB     | ACTIVE        | SOT-223          | DCY             | 4    | 1000        | RoHS & Green         | SN                                   | Level-1-260C-UNLIM   | 0 to 125     | N01A                    | Samples |
| LM317EMPX/NOPB    | ACTIVE        | SOT-223          | DCY             | 4    | 2000        | RoHS & Green         | SN                                   | Level-1-260C-UNLIM   | 0 to 125     | N01A                    | Samples |
| LM317H            | ACTIVE        | TO               | NDT             | 3    | 500         | RoHS & Green         | AU                                   | Level-1-NA-UNLIM     | 0 to 0       | ( LM317HP+, LM317H P+)  | Samples |
| LM317H/NOPB       | ACTIVE        | TO               | NDT             | 3    | 500         | RoHS & Green         | AU                                   | Level-1-NA-UNLIM     | 0 to 0       | ( LM317HP+, LM317H P+)  | Samples |
| LM317MDT/NOPB     | ACTIVE        | TO-252           | NDP             | 3    | 75          | RoHS & Green         | SN                                   | Level-2-260C-1 YEAR  | 0 to 125     | LM317 MDT               | Samples |
| LM317MDTX/NOPB    | ACTIVE        | TO-252           | NDP             | 3    | 2500        | RoHS & Green         | SN                                   | Level-2-260C-1 YEAR  | 0 to 125     | LM317 MDT               | Samples |
| LM317S/NOPB       | ACTIVE        | DDPAK/<br>TO-263 | KTT             | 3    | 45          | RoHS-Exempt & Green  | SN                                   | Level-3-245C-168 HR  | 0 to 125     | LM317S P+               | Samples |
| LM317SX/NOPB      | ACTIVE        | DDPAK/<br>TO-263 | KTT             | 3    | 500         | RoHS-Exempt & Green  | SN                                   | Level-3-245C-168 HR  | 0 to 125     | LM317S P+               | Samples |
| LM317T            | LIFEBUY       | TO-220           | NDE             | 3    | 45          | Non-RoHS & Green     | Call TI                              | Level-1-NA-UNLIM     |              | LM317T P+               |         |
| LM317T/LF01       | ACTIVE        | TO-220           | NDG             | 3    | 45          | RoHS-Exempt & Green  | SN                                   | Level-4-260C-72 HR   |              | LM317T P+               | Samples |
| LM317T/NOPB       | ACTIVE        | TO-220           | NDE             | 3    | 45          | RoHS & Green         | SN                                   | Level-1-NA-UNLIM     | 0 to 125     | LM317T P+               | Samples |

(1) The marketing status values are defined as follows:

**ACTIVE:** Product device recommended for new designs.

**LIFEBUY:** TI has announced that the device will be discontinued, and a lifetime-buy period is in effect.

**NRND:** Not recommended for new designs. Device is in production to support existing customers, but TI does not recommend using this part in a new design.

**PREVIEW:** Device has been announced but is not in production. Samples may or may not be available.

**OBSELETE:** TI has discontinued the production of the device.

(2) **RoHS:** TI defines "RoHS" to mean semiconductor products that are compliant with the current EU RoHS requirements for all 10 RoHS substances, including the requirement that RoHS substance do not exceed 0.1% by weight in homogeneous materials. Where designed to be soldered at high temperatures, "RoHS" products are suitable for use in specified lead-free processes. TI may reference these types of products as "Pb-Free".

**RoHS Exempt:** TI defines "RoHS Exempt" to mean products that contain lead but are compliant with EU RoHS pursuant to a specific EU RoHS exemption.

**Green:** TI defines "Green" to mean the content of Chlorine (Cl) and Bromine (Br) based flame retardants meet JS709B low halogen requirements of  $\leq 1000$ ppm threshold. Antimony trioxide based flame retardants must also meet the  $\leq 1000$ ppm threshold requirement.

(3) MSL, Peak Temp. - The Moisture Sensitivity Level rating according to the JEDEC industry standard classifications, and peak solder temperature.

(4) There may be additional marking, which relates to the logo, the lot trace code information, or the environmental category on the device.

(5) Multiple Device Markings will be inside parentheses. Only one Device Marking contained in parentheses and separated by a "~" will appear on a device. If a line is indented then it is a continuation of the previous line and the two combined represent the entire Device Marking for that device.

(6) Lead finish/Ball material - Orderable Devices may have multiple material finish options. Finish options are separated by a vertical ruled line. Lead finish/Ball material values may wrap to two lines if the finish value exceeds the maximum column width.

**Important Information and Disclaimer:**The information provided on this page represents TI's knowledge and belief as of the date that it is provided. TI bases its knowledge and belief on information provided by third parties, and makes no representation or warranty as to the accuracy of such information. Efforts are underway to better integrate information from third parties. TI has taken and continues to take reasonable steps to provide representative and accurate information but may not have conducted destructive testing or chemical analysis on incoming materials and chemicals. TI and TI suppliers consider certain information to be proprietary, and thus CAS numbers and other limited information may not be available for release.

In no event shall TI's liability arising out of such information exceed the total purchase price of the TI part(s) at issue in this document sold by TI to Customer on an annual basis.

**TAPE AND REEL INFORMATION**

**QUADRANT ASSIGNMENTS FOR PIN 1 ORIENTATION IN TAPE**


\*All dimensions are nominal

| Device         | Package Type     | Package Drawing | Pins | SPQ  | Reel Diameter (mm) | Reel Width W1 (mm) | A0 (mm) | B0 (mm) | K0 (mm) | P1 (mm) | W (mm) | Pin1 Quadrant |
|----------------|------------------|-----------------|------|------|--------------------|--------------------|---------|---------|---------|---------|--------|---------------|
| LM317EMP       | SOT-223          | DCY             | 4    | 1000 | 330.0              | 16.4               | 7.0     | 7.5     | 2.2     | 12.0    | 16.0   | Q3            |
| LM317EMP/NOPB  | SOT-223          | DCY             | 4    | 1000 | 330.0              | 16.4               | 7.0     | 7.5     | 2.2     | 12.0    | 16.0   | Q3            |
| LM317EMPX/NOPB | SOT-223          | DCY             | 4    | 2000 | 330.0              | 16.4               | 7.0     | 7.5     | 2.2     | 12.0    | 16.0   | Q3            |
| LM317MDTX/NOPB | TO-252           | NDP             | 3    | 2500 | 330.0              | 16.4               | 6.9     | 10.5    | 2.7     | 8.0     | 16.0   | Q2            |
| LM317SX/NOPB   | DDPAK/<br>TO-263 | KTT             | 3    | 500  | 330.0              | 24.4               | 10.75   | 14.85   | 5.0     | 16.0    | 24.0   | Q2            |



**TAPE AND REEL BOX DIMENSIONS**


\*All dimensions are nominal

| Device         | Package Type | Package Drawing | Pins | SPQ  | Length (mm) | Width (mm) | Height (mm) |
|----------------|--------------|-----------------|------|------|-------------|------------|-------------|
| LM317EMP       | SOT-223      | DCY             | 4    | 1000 | 367.0       | 367.0      | 35.0        |
| LM317EMP/NOPB  | SOT-223      | DCY             | 4    | 1000 | 367.0       | 367.0      | 35.0        |
| LM317EMPX/NOPB | SOT-223      | DCY             | 4    | 2000 | 367.0       | 367.0      | 35.0        |
| LM317MDTX/NOPB | TO-252       | NDP             | 3    | 2500 | 356.0       | 356.0      | 35.0        |
| LM317SX/NOPB   | DDPAK/TO-263 | KTT             | 3    | 500  | 367.0       | 367.0      | 45.0        |

**TUBE**


\*All dimensions are nominal

| Device        | Package Name | Package Type | Pins | SPQ | L (mm) | W (mm) | T (μm) | B (mm) |
|---------------|--------------|--------------|------|-----|--------|--------|--------|--------|
| LM317MDT/NOPB | NDP          | TO-252       | 3    | 75  | 508    | 20     | 4165.6 | 3.1    |
| LM317S/NOPB   | KTT          | TO-263       | 3    | 45  | 502    | 25     | 8204.2 | 9.19   |
| LM317T        | NDE          | TO-220       | 3    | 45  | 502    | 33     | 6985   | 4.06   |
| LM317T        | NDE          | TO-220       | 3    | 45  | 502    | 33     | 6985   | 4.06   |
| LM317T/LF01   | NDG          | TO-220       | 3    | 45  | 502    | 25     | 8204.2 | 9.19   |
| LM317T/NOPB   | NDE          | TO-220       | 3    | 45  | 502    | 33     | 6985   | 4.06   |

**TRAY**


Chamfer on Tray corner indicates Pin 1 orientation of packed units.

\*All dimensions are nominal

| Device            | Package Name | Package Type | Pins | SPQ | Unit array matrix | Max temperature (°C) | L (mm) | W (mm) | K0 (µm) | P1 (mm) | CL (mm) | CW (mm) |
|-------------------|--------------|--------------|------|-----|-------------------|----------------------|--------|--------|---------|---------|---------|---------|
| LM117K            | NDS          | TO-CAN       | 2    | 50  | 9 X 6             | NA                   | 292.1  | 215.9  | 25654   | 3.87    | 22.3    | 25.4    |
| LM117K STEEL      | NDS          | TO-CAN       | 2    | 50  | 9 X 6             | NA                   | 292.1  | 215.9  | 25654   | 3.87    | 22.3    | 25.4    |
| LM117K STEEL/NOPB | NDS          | TO-CAN       | 2    | 50  | 9 X 6             | NA                   | 292.1  | 215.9  | 25654   | 3.87    | 22.3    | 25.4    |

NDE0003B

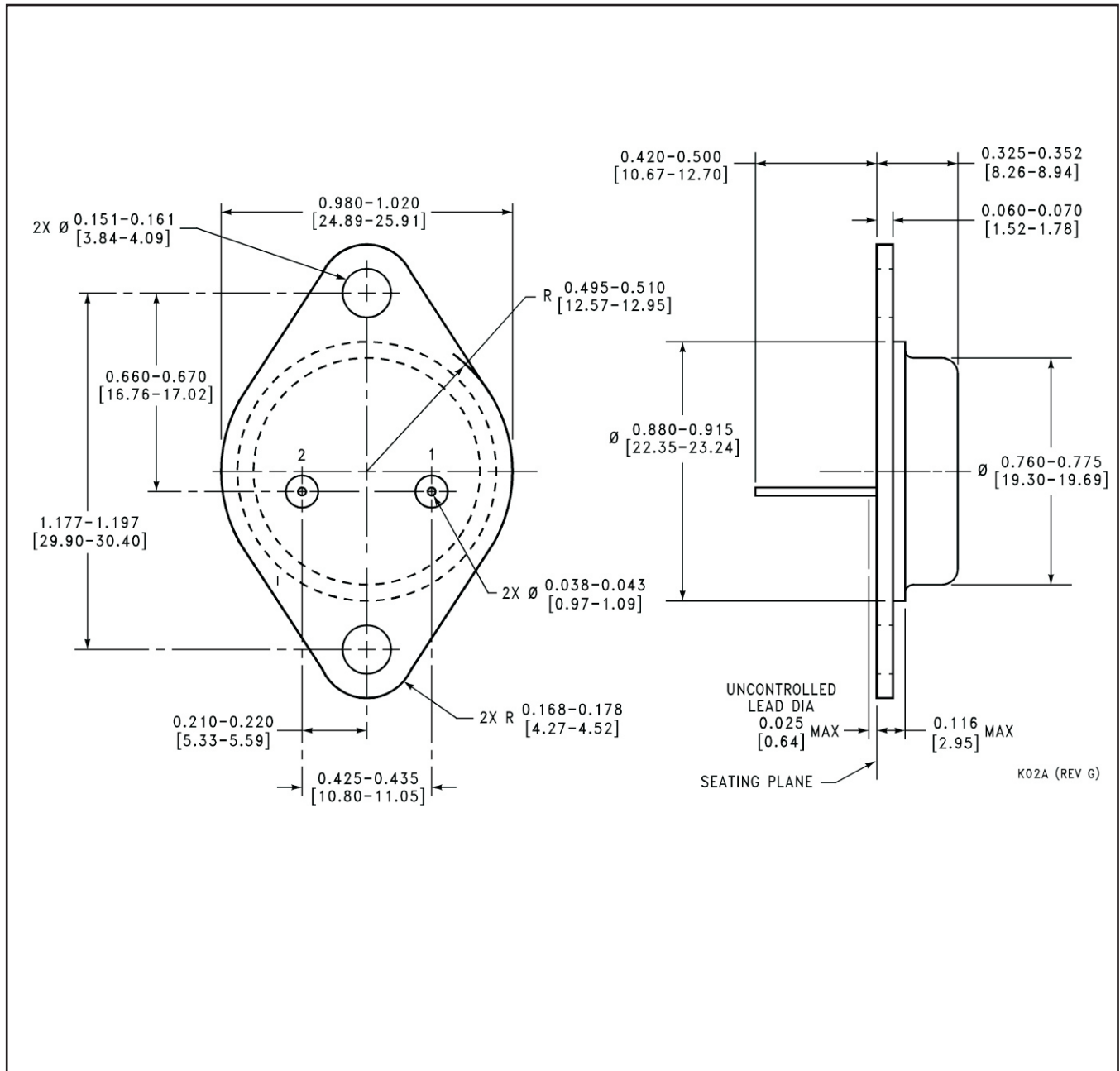


KTT0003B



TS3B (Rev F)

NDS0002A



DCY (R-PDSO-G4)

PLASTIC SMALL-OUTLINE



- NOTES: A. All linear dimensions are in millimeters (inches).  
 B. This drawing is subject to change without notice.  
 C. Body dimensions do not include mold flash or protrusion.  
 D. Falls within JEDEC TO-261 Variation AA.



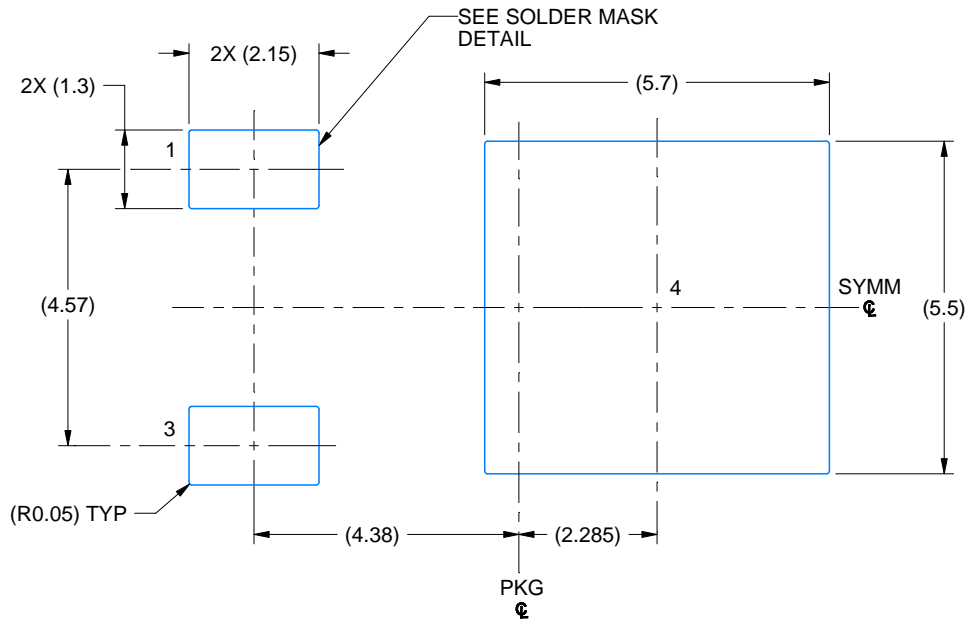


# EXAMPLE BOARD LAYOUT

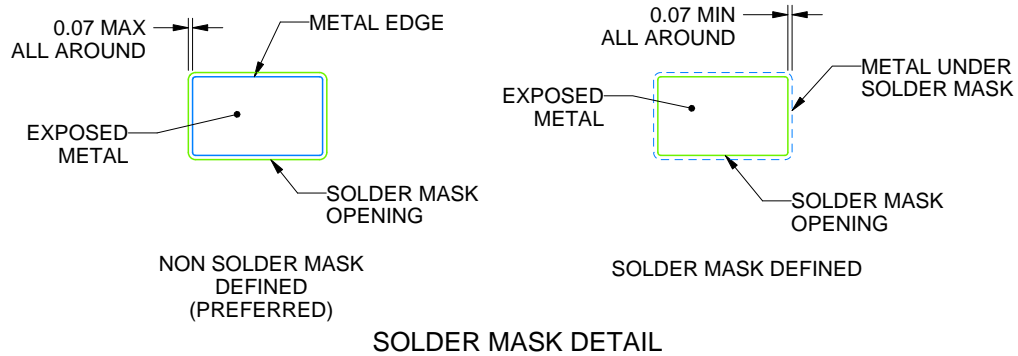
NDP0003B

TO-252 - 2.55 mm max height

TRANSISTOR OUTLINE



LAND PATTERN EXAMPLE  
EXPOSED METAL SHOWN  
SCALE: 8X



SOLDER MASK DETAIL

4219870/A 03/2018

NOTES: (continued)

4. This package is designed to be soldered to a thermal pad on the board. For more information, see Texas Instruments literature numbers SLMA002([www.ti.com/lit/slm002](http://www.ti.com/lit/slm002)) and SLMA004 ([www.ti.com/lit/slma004](http://www.ti.com/lit/slma004)).
5. Vias are optional depending on application, refer to device data sheet. It is recommended that vias under paste be filled, plugged or tented.

# EXAMPLE STENCIL DESIGN

NDP0003B

TO-252 - 2.55 mm max height

TRANSISTOR OUTLINE



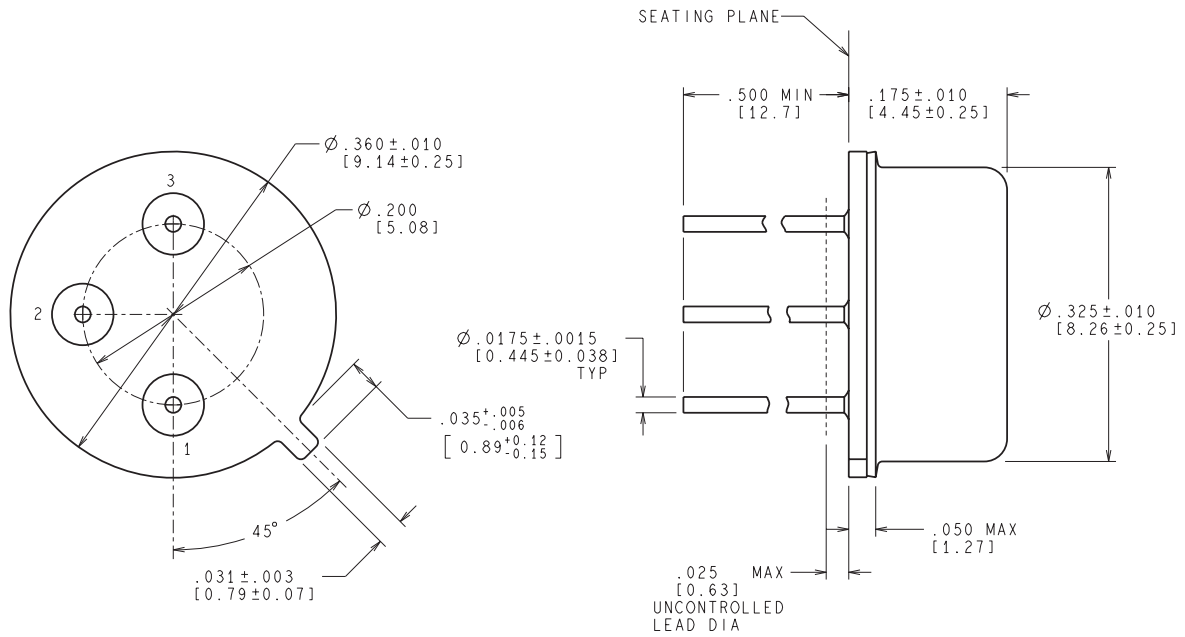
SOLDER PASTE EXAMPLE  
BASED ON 0.125 MM THICK STENCIL  
SCALE: 8X

4219870/A 03/2018

NOTES: (continued)

6. Laser cutting apertures with trapezoidal walls and rounded corners may offer better paste release. IPC-7525 may have alternate design recommendations.
7. Board assembly site may have different recommendations for stencil design.

NDT0003A



CONTROLLING DIMENSION IS INCH  
VALUES IN [ ] ARE MILLIMETERS

MIL-PRF-38535  
CONFIGURATION CONTROL

H03A (Rev D)

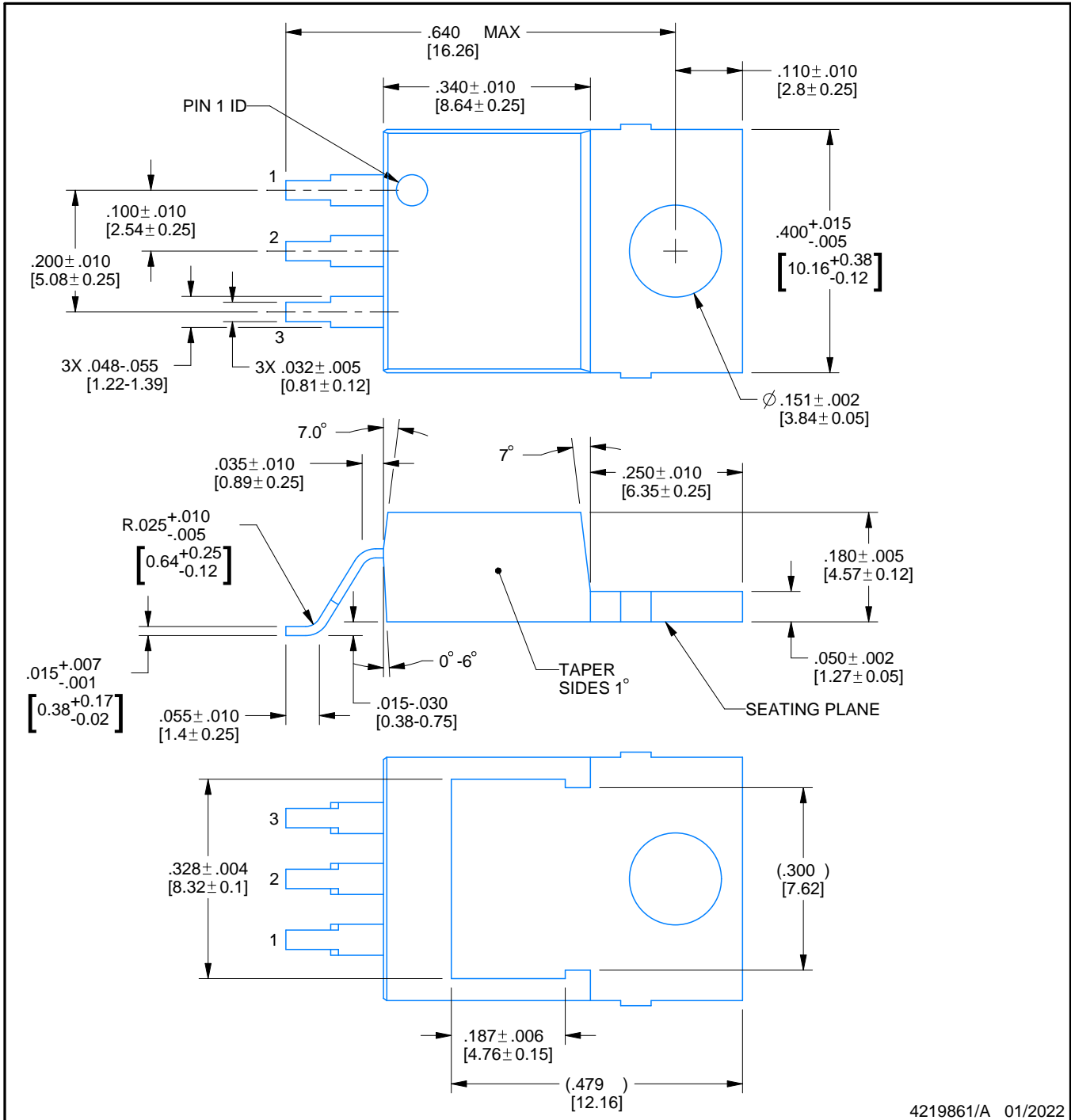


# PACKAGE OUTLINE

## NDG0003F

### TO-220 - 4.69 mm max height

TRANSISTOR OUTLINE



4219861/A 01/2022

#### NOTES:

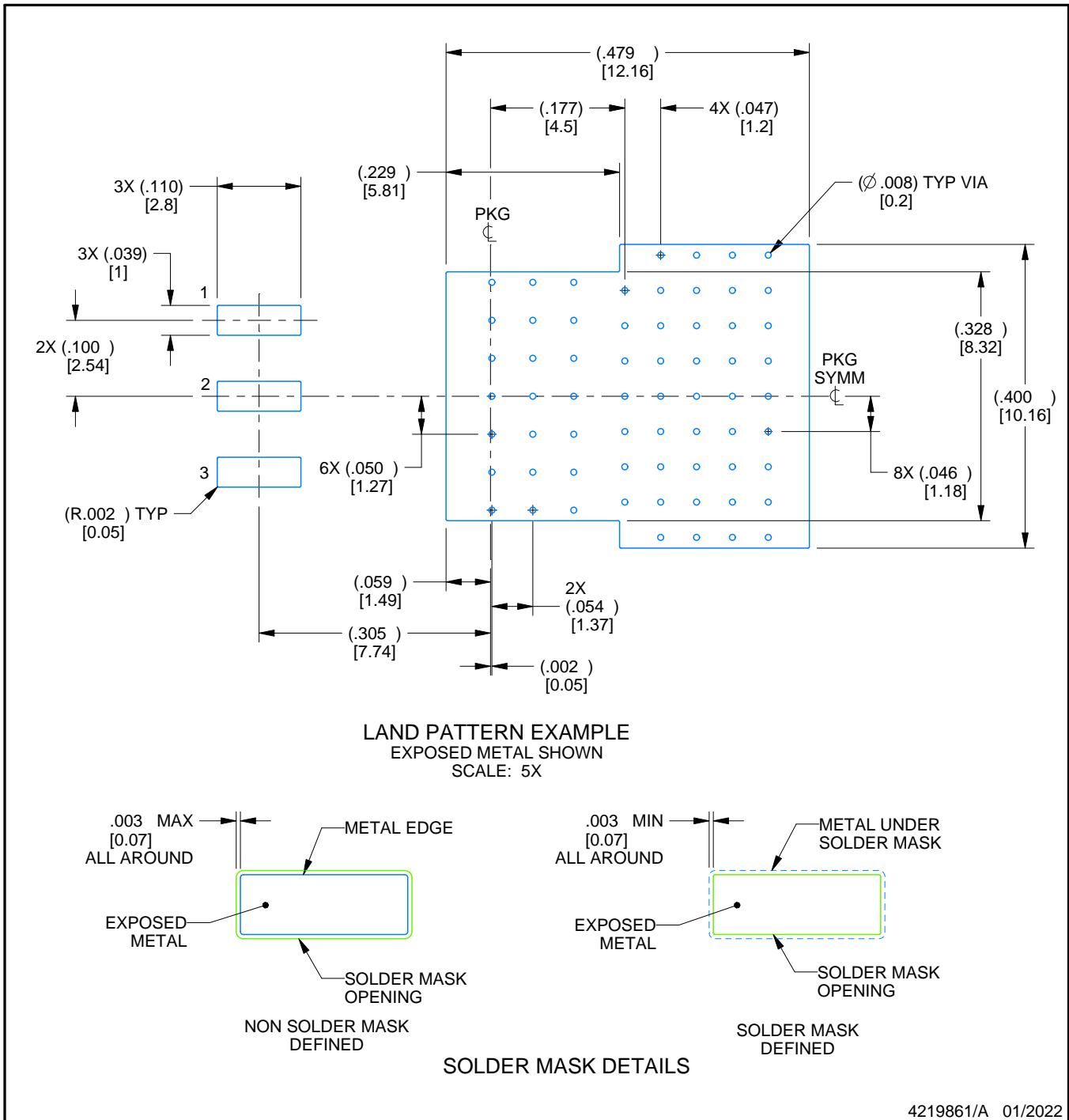
1. All controlling linear dimensions are in inches. Dimensions in brackets are in millimeters. Any dimension in brackets or parenthesis are for reference only. Dimensioning and tolerancing per ASME Y14.5M.
2. This drawing is subject to change without notice.

# EXAMPLE BOARD LAYOUT

NDG0003F

TO-220 - 4.69 mm max height

TRANSISTOR OUTLINE



4219861/A 01/2022

NOTES: (continued)

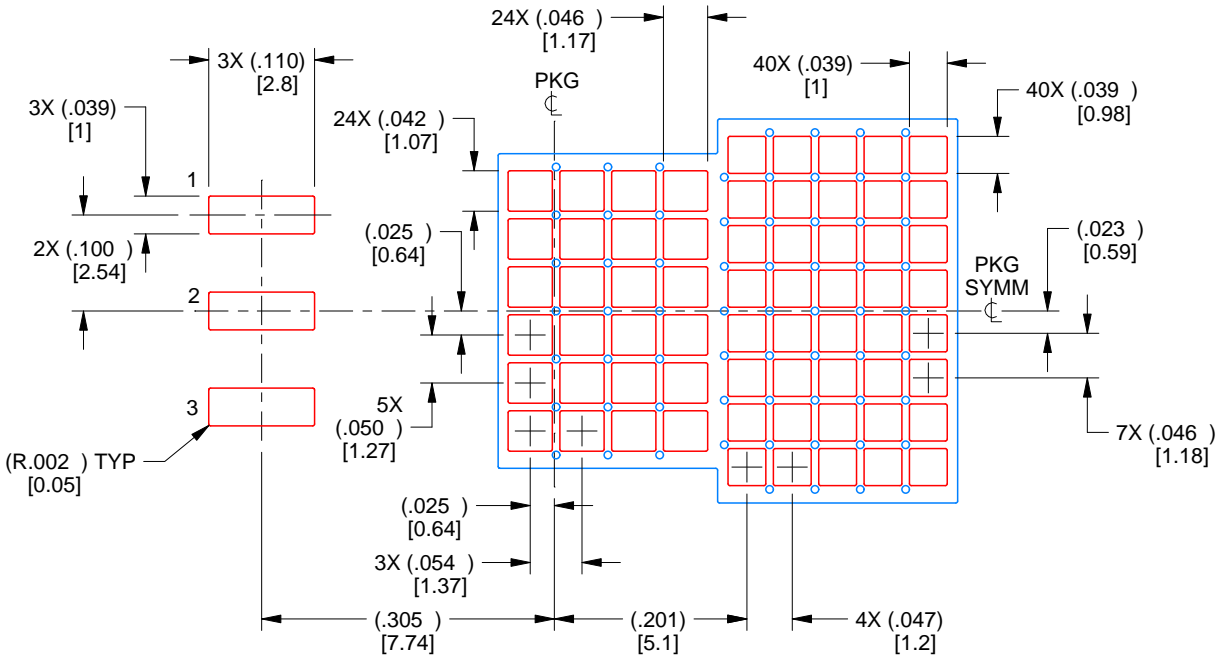
3. This package is designed to be soldered to a thermal pad on the board. For more information, see Texas Instruments literature numbers SLMA002([www.ti.com/lit/slm002](http://www.ti.com/lit/slm002)) and SLMA004 ([www.ti.com/lit/slma004](http://www.ti.com/lit/slma004)).
4. Vias are optional depending on application, refer to device data sheet. It is recommended that vias under paste be filled, plugged or tented.

# EXAMPLE STENCIL DESIGN

NDG0003F

TO-220 - 4.69 mm max height

TRANSISTOR OUTLINE



SOLDER PASTE EXAMPLE  
BASED ON 0.125 mm THICK STENCIL

EXPOSED PAD  
61% PRINTED SOLDER COVERAGE BY AREA UNDER PACKAGE  
SCALE: 5X

4219861/A 01/2022

NOTES: (continued)

5. Laser cutting apertures with trapezoidal walls and rounded corners may offer better paste release. IPC-7525 may have alternate design recommendations.
6. Board assembly site may have different recommendations for stencil design.

## IMPORTANT NOTICE AND DISCLAIMER

TI PROVIDES TECHNICAL AND RELIABILITY DATA (INCLUDING DATA SHEETS), DESIGN RESOURCES (INCLUDING REFERENCE DESIGNS), APPLICATION OR OTHER DESIGN ADVICE, WEB TOOLS, SAFETY INFORMATION, AND OTHER RESOURCES "AS IS" AND WITH ALL FAULTS, AND DISCLAIMS ALL WARRANTIES, EXPRESS AND IMPLIED, INCLUDING WITHOUT LIMITATION ANY IMPLIED WARRANTIES OF MERCHANTABILITY, FITNESS FOR A PARTICULAR PURPOSE OR NON-INFRINGEMENT OF THIRD PARTY INTELLECTUAL PROPERTY RIGHTS.

These resources are intended for skilled developers designing with TI products. You are solely responsible for (1) selecting the appropriate TI products for your application, (2) designing, validating and testing your application, and (3) ensuring your application meets applicable standards, and any other safety, security, regulatory or other requirements.

These resources are subject to change without notice. TI grants you permission to use these resources only for development of an application that uses the TI products described in the resource. Other reproduction and display of these resources is prohibited. No license is granted to any other TI intellectual property right or to any third party intellectual property right. TI disclaims responsibility for, and you will fully indemnify TI and its representatives against, any claims, damages, costs, losses, and liabilities arising out of your use of these resources.

TI's products are provided subject to [TI's Terms of Sale](#) or other applicable terms available either on [ti.com](https://www.ti.com) or provided in conjunction with such TI products. TI's provision of these resources does not expand or otherwise alter TI's applicable warranties or warranty disclaimers for TI products.

TI objects to and rejects any additional or different terms you may have proposed.

Mailing Address: Texas Instruments, Post Office Box 655303, Dallas, Texas 75265  
Copyright © 2023, Texas Instruments Incorporated