

HIGH CURRENT NPN SILICON TRANSISTOR

- SGS-THOMSON PREFERRED SALESTYPE
- NPN TRANSISTOR

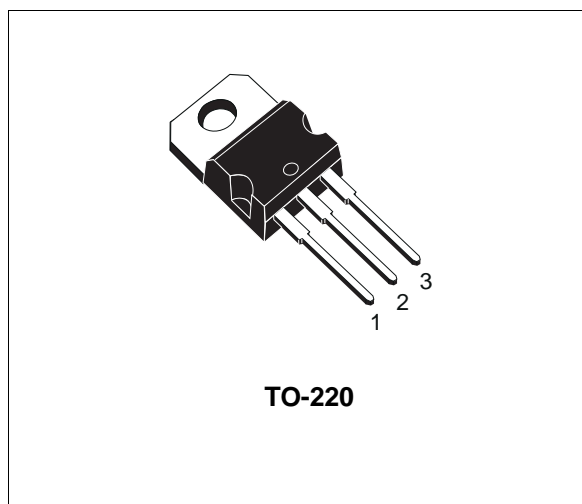
APPLICATIONS

- HORIZONTAL DEFLECTION FOR MONOCHROME TVs

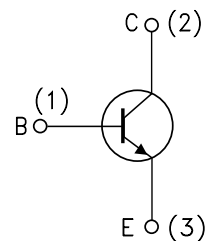
DESCRIPTION

The BU407 is a silicon epitaxial planar NPN transistors in Jedec TO-220 plastic package.

They are fast switching, high voltage devices for use in horizontal deflection output stages of medium and small screens MTV receivers with 110° CRT as monochrome computers terminals.



INTERNAL SCHEMATIC DIAGRAM



ABSOLUTE MAXIMUM RATINGS

| Symbol | Parameter | Value | Unit |
|-----------|--|------------|------|
| V_{CBO} | Collector-Base Voltage ($I_E = 0$) | 330 | V |
| V_{CEV} | Collector-Emitter Voltage ($V_{BE} = -1.5$ V) | 330 | V |
| V_{CEO} | Collector-Emitter Voltage ($I_B = 0$) | 150 | V |
| V_{EBO} | Emitter-Base Voltage ($I_C = 0$) | 6 | V |
| I_C | Collector Current | 7 | A |
| I_{CM} | Collector Peak Current (repetitive) | 10 | A |
| I_{CM} | Collector Peak Current ($t_p = 10$ ms) | 15 | A |
| I_B | Base Current | 4 | A |
| P_{tot} | Total Dissipation at $T_c \leq 25$ °C | 60 | W |
| T_{stg} | Storage Temperature | -65 to 150 | °C |
| T_j | Max. Operating Junction Temperature | 150 | °C |

THERMAL DATA

| | | | | |
|-----------------------|-------------------------------------|-----|------|------|
| R _{thj-case} | Thermal Resistance Junction-case | Max | 2.08 | °C/W |
| R _{thj-amb} | Thermal Resistance Junction-ambient | Max | 70 | °C/W |

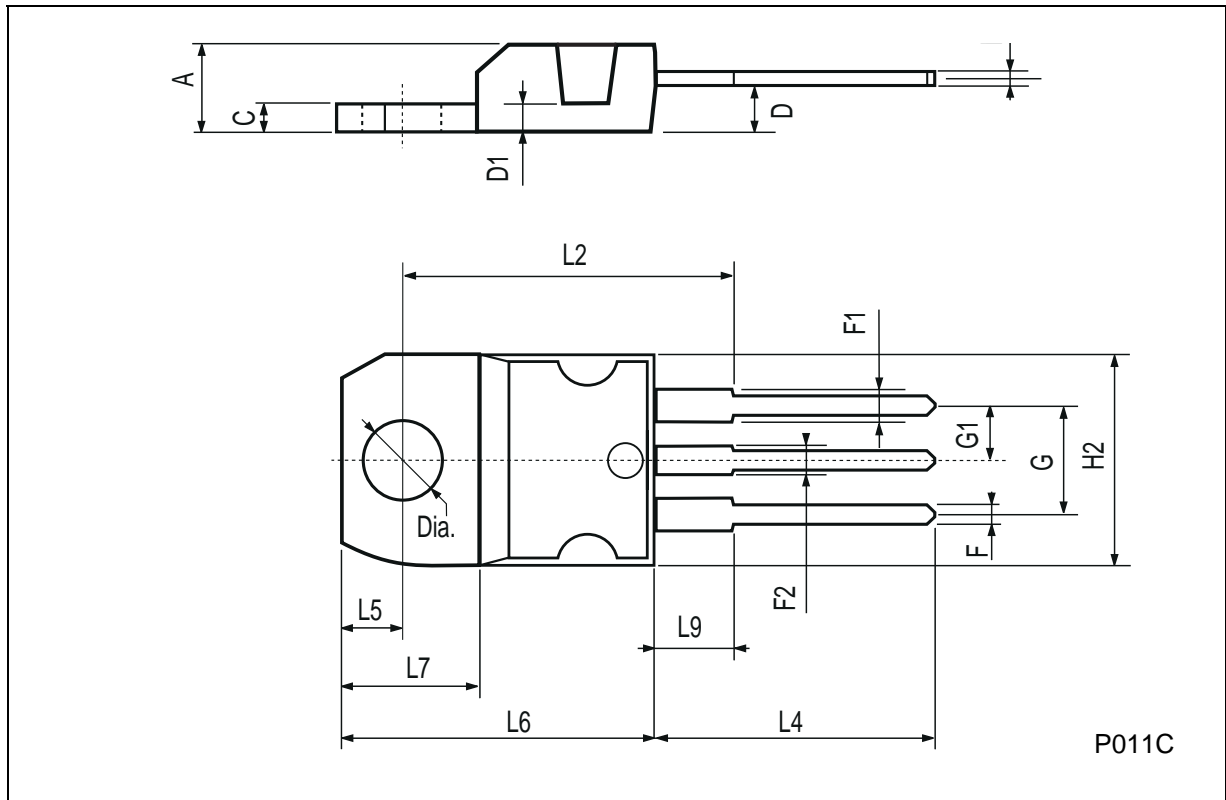
ELECTRICAL CHARACTERISTICS (T_{case} = 25 °C unless otherwise specified)

| Symbol | Parameter | Test Conditions | | Min. | Typ. | Max. | Unit |
|-----------------------|---|---|---------------------------|------|------|---------------|----------------|
| I _{CES} | Collector Cut-off Current (V _{BE} = 0) | V _{CE} = 330 V V _{CE} = 200 V V _{CE} = 200 V | T _{case} = 100°C | | | 5 100 1 | mA μA mA |
| I _{EBO} | Emitter Cut-off Current (I _C = 0) | V _{EB} = 6 V | | | | 1 | mA |
| V _{CE(sat)*} | Collector-emitter Saturation Voltage | I _C = 5 A | I _B = 0.5 A | | | 1 | V |
| V _{BE(sat)*} | Base-emitter Saturation Voltage | I _C = 5 A | | | | 1.2 | V |
| f _T | Transition-Frequency | I _C = 1 A f = 1 MHz | V _{CE} = 5 V | | 10 | 16 | MHz |
| t _{off**} | Turn-off Time | I _C = 5 A | I _{Bend} = 0.5 A | | | 0.75 | μs |
| I _{s/b} | Second Breakdown Collector Current | V _{CE} = 40 V | t = 10 ms | | 4 | | A |

* Pulsed: Pulse duration = 300 μs, duty cycle 1.5 %.

TO-220 MECHANICAL DATA

| DIM. | mm | | | inch | | |
|------|-------|------|-------|-------|-------|-------|
| | MIN. | TYP. | MAX. | MIN. | TYP. | MAX. |
| A | 4.40 | | 4.60 | 0.173 | | 0.181 |
| C | 1.23 | | 1.32 | 0.048 | | 0.051 |
| D | 2.40 | | 2.72 | 0.094 | | 0.107 |
| D1 | | 1.27 | | | 0.050 | |
| E | 0.49 | | 0.70 | 0.019 | | 0.027 |
| F | 0.61 | | 0.88 | 0.024 | | 0.034 |
| F1 | 1.14 | | 1.70 | 0.044 | | 0.067 |
| F2 | 1.14 | | 1.70 | 0.044 | | 0.067 |
| G | 4.95 | | 5.15 | 0.194 | | 0.203 |
| G1 | 2.4 | | 2.7 | 0.094 | | 0.106 |
| H2 | 10.0 | | 10.40 | 0.393 | | 0.409 |
| L2 | | 16.4 | | | 0.645 | |
| L4 | 13.0 | | 14.0 | 0.511 | | 0.551 |
| L5 | 2.65 | | 2.95 | 0.104 | | 0.116 |
| L6 | 15.25 | | 15.75 | 0.600 | | 0.620 |
| L7 | 6.2 | | 6.6 | 0.244 | | 0.260 |
| L9 | 3.5 | | 3.93 | 0.137 | | 0.154 |
| DIA. | 3.75 | | 3.85 | 0.147 | | 0.151 |



Information furnished is believed to be accurate and reliable. However, SGS-THOMSON Microelectronics assumes no responsibility for the consequences of use of such information nor for any infringement of patents or other rights of third parties which may result from its use. No license is granted by implication or otherwise under any patent or patent rights of SGS-THOMSON Microelectronics. Specifications mentioned in this publication are subject to change without notice. This publication supersedes and replaces all information previously supplied. SGS-THOMSON Microelectronics products are not authorized for use as critical components in life support devices or systems without express written approval of SGS-THOMSON Microelectronics.

© 1997 SGS-THOMSON Microelectronics - Printed in Italy - All Rights Reserved

SGS-THOMSON Microelectronics GROUP OF COMPANIES
Australia - Brazil - Canada - China - France - Germany - Hong Kong - Italy - Japan - Korea - Malaysia - Malta - Morocco - The Netherlands -
Singapore - Spain - Sweden - Switzerland - Taiwan - Thailand - United Kingdom - U.S.A
...