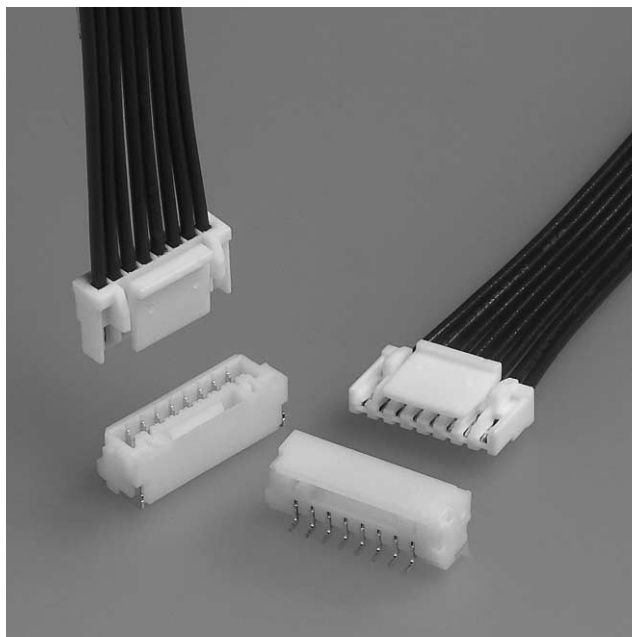


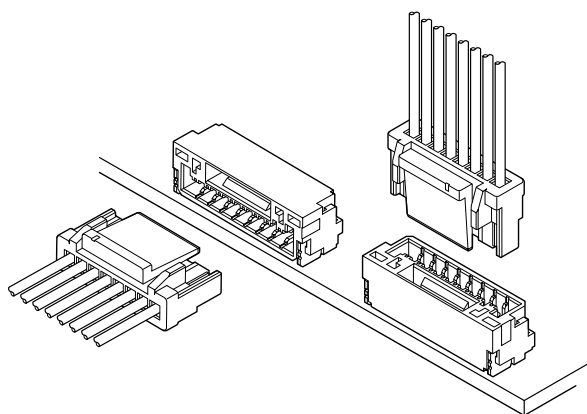
# GH CONNECTOR



Disconnectable Crimp style connectors



Developed for PDP, LCD or small electronics equipment. This low insertion type connector realizes easier mating operation. The basic concept of the contact part of this connector is equivalent to the performance proven SHL connector.



## Features

### • Secure locking structure

This innovative housing lock design achieves a locking device which is easy to handle as well as secure.

### • Contact lock structure

A contact lock provides a good "click feeling" when mated, which prevents improper mating during assembly.

### • Prevent deformation of contacts

Fork-shaped header contacts are supported by grooves on the housing walls designed to prevent deformation of contacts.

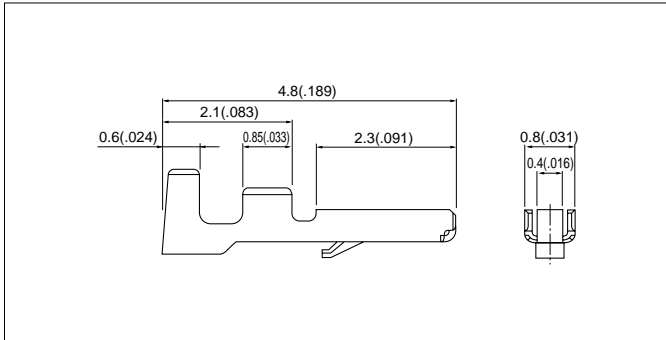
## Specifications

- Current rating: 1.0A AC, DC (AWG #26)
  - Voltage rating: 50V AC, DC
  - Temperature range: -25°C to +85°C  
(including temperature rise in applying electrical current)
  - Contact resistance: Initial value/30m Ω max.  
After environmental testing/50m Ω max.
  - Insulation resistance: 100M Ω min.
  - Withstanding voltage: 500V AC/minute
  - Applicable wire: AWG #30 to #26  
Insulation O.D./0.8 to 1.0mm (.031" to .039")
- \* Contact JST if Lead-Free product is required.  
\* Refer to "General Instruction and Notice when using Terminals and Connectors" at the end of this catalog.  
\* Contact JST for details.

## Standards

Recognized E60389

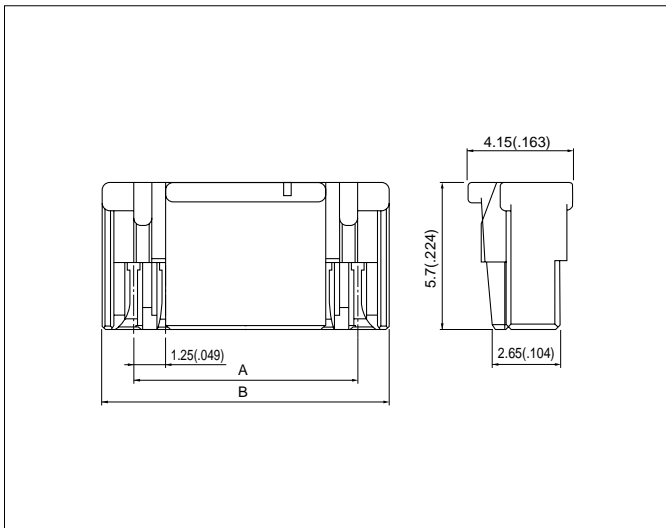
## Contact



| Model No.             | Applicable wire |          | Insulation O.D.<br>mm(in.) | Q'ty / reel |
|-----------------------|-----------------|----------|----------------------------|-------------|
|                       | mm <sup>2</sup> | AWG#     |                            |             |
| <b>SSHL-002T-P0.2</b> | 0.05 to 0.13    | 30 to 26 | 0.8 to 1.0(.031 to .039)   | 23,000      |

| Material and Finish         |  |
|-----------------------------|--|
| Phosphor bronze, tin-plated |  |

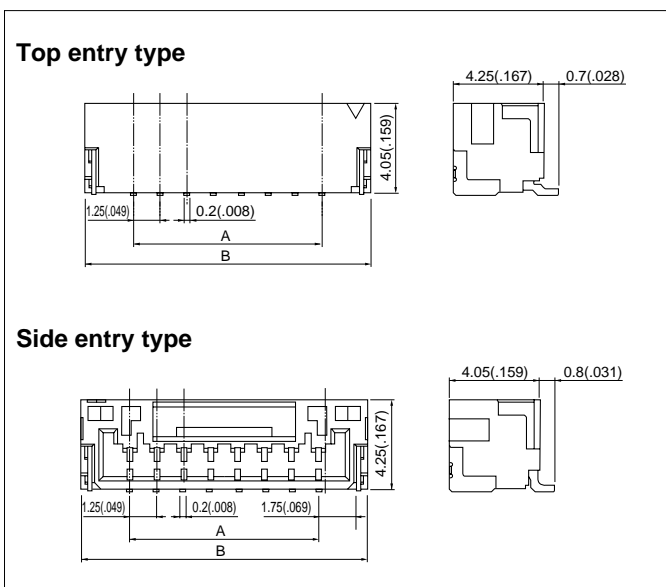
## Housing



| Circuits | Model No         | Dimensions mm(in.) |             | Q'ty / box |
|----------|------------------|--------------------|-------------|------------|
|          |                  | A                  | B           |            |
| 2        | <b>GHR-02V-S</b> | 1.25(.049)         | 3.75(.148)  | 4,000      |
| 3        | <b>GHR-03V-S</b> | 2.50(.098)         | 5.00(.197)  | 3,000      |
| 4        | <b>GHR-04V-S</b> | 3.75(.148)         | 6.25(.246)  | 2,500      |
| 5        | <b>GHR-05V-S</b> | 5.00(.197)         | 7.50(.295)  | 2,000      |
| 6        | <b>GHR-06V-S</b> | 6.25(.246)         | 8.75(.344)  | 1,500      |
| 7        | <b>GHR-07V-S</b> | 7.50(.295)         | 10.00(.394) | 1,500      |
| 8        | <b>GHR-08V-S</b> | 8.75(.344)         | 11.25(.443) | 1,000      |
| 9        | <b>GHR-09V-S</b> | 10.00(.394)        | 12.50(.492) | 1,000      |
| 10       | <b>GHR-10V-S</b> | 11.25(.443)        | 13.75(.541) | 1,000      |
| 11       | <b>GHR-11V-S</b> | 12.50(.492)        | 15.00(.591) | 1,000      |
| 12       | <b>GHR-12V-S</b> | 13.75(.541)        | 16.25(.640) | 1,000      |
| 13       | <b>GHR-13V-S</b> | 15.00(.591)        | 17.50(.689) | 1,000      |
| 14       | <b>GHR-14V-S</b> | 16.25(.640)        | 18.75(.738) | 500        |
| 15       | <b>GHR-15V-S</b> | 17.50(.689)        | 20.00(.787) | 500        |

| Material              |  |
|-----------------------|--|
| PBT, UL94V-0, natural |  |

## Shrouded header

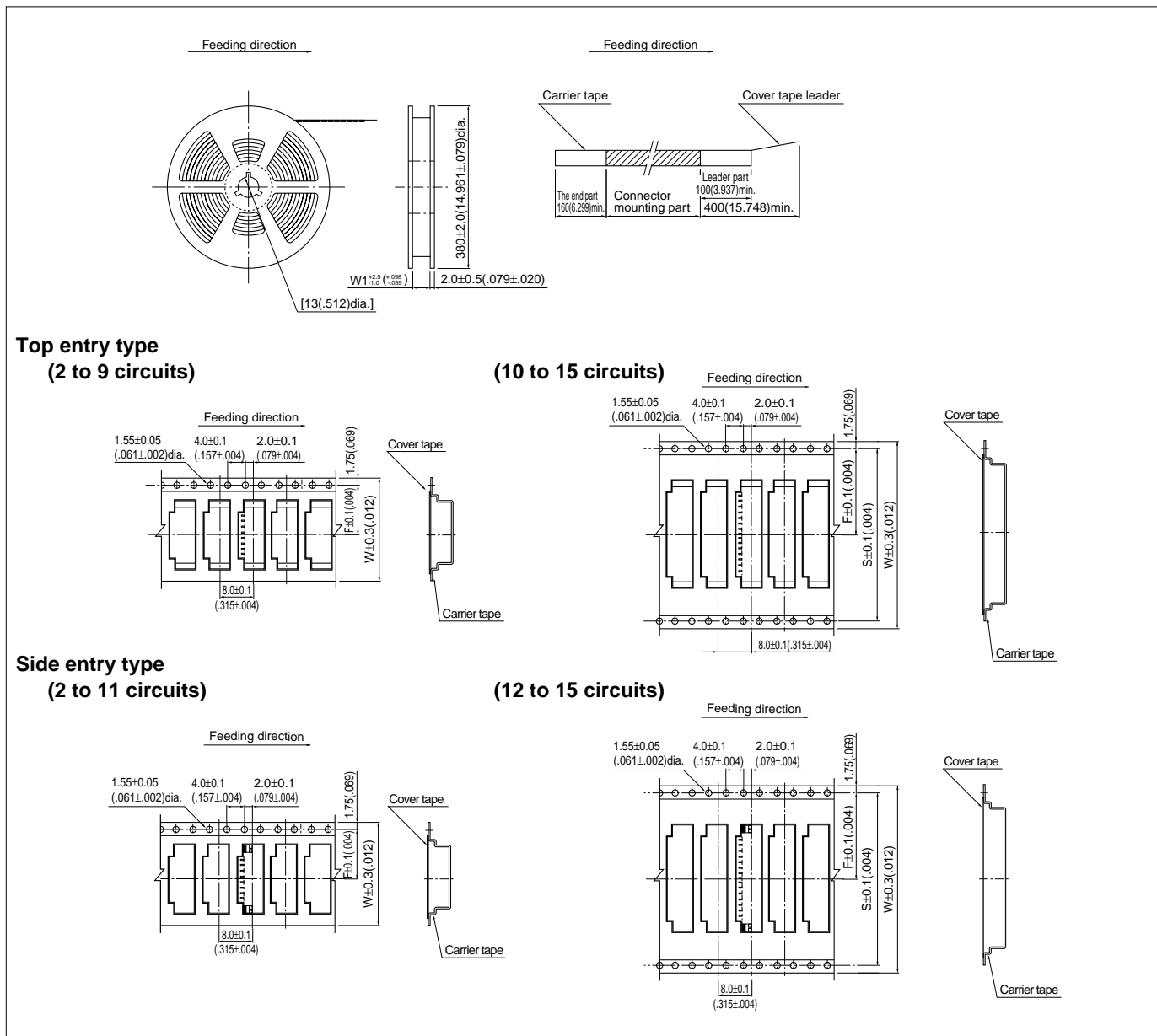


| Circuits | Model No.            |                     | Dimensions mm(in.) |             | Q'ty / reel |
|----------|----------------------|---------------------|--------------------|-------------|-------------|
|          | Top entry type       | Side entry type     | A                  | B           |             |
| 2        | <b>BM02B-GHS-TBT</b> | <b>SM02B-GHS-TB</b> | 1.25(.049)         | 5.75(.226)  | 2,500       |
| 3        | <b>BM03B-GHS-TBT</b> | <b>SM03B-GHS-TB</b> | 2.50(.098)         | 7.00(.276)  | 2,500       |
| 4        | <b>BM04B-GHS-TBT</b> | <b>SM04B-GHS-TB</b> | 3.75(.148)         | 8.25(.325)  | 2,500       |
| 5        | <b>BM05B-GHS-TBT</b> | <b>SM05B-GHS-TB</b> | 5.00(.197)         | 9.50(.374)  | 2,500       |
| 6        | <b>BM06B-GHS-TBT</b> | <b>SM06B-GHS-TB</b> | 6.25(.246)         | 10.75(.423) | 2,500       |
| 7        | <b>BM07B-GHS-TBT</b> | <b>SM07B-GHS-TB</b> | 7.50(.295)         | 12.00(.472) | 2,500       |
| 8        | <b>BM08B-GHS-TBT</b> | <b>SM08B-GHS-TB</b> | 8.75(.344)         | 13.25(.522) | 2,500       |
| 9        | <b>BM09B-GHS-TBT</b> | <b>SM09B-GHS-TB</b> | 10.00(.394)        | 14.50(.571) | 2,500       |
| 10       | <b>BM10B-GHS-TBT</b> | <b>SM10B-GHS-TB</b> | 11.25(.443)        | 15.75(.620) | 2,500       |
| 11       | <b>BM11B-GHS-TBT</b> | <b>SM11B-GHS-TB</b> | 12.50(.492)        | 17.00(.669) | 2,500       |
| 12       | <b>BM12B-GHS-TBT</b> | <b>SM12B-GHS-TB</b> | 13.75(.541)        | 18.25(.719) | 2,500       |
| 13       | <b>BM13B-GHS-TBT</b> | <b>SM13B-GHS-TB</b> | 15.00(.591)        | 19.50(.768) | 2,500       |
| 14       | <b>BM14B-GHS-TBT</b> | <b>SM14B-GHS-TB</b> | 16.25(.640)        | 20.75(.817) | 2,500       |
| 15       | <b>BM15B-GHS-TBT</b> | <b>SM15B-GHS-TB</b> | 17.50(.689)        | 22.00(.866) | 2,500       |

| Material and Finish                                      |  |
|--|--|
| Contact: Phosphor bronze, copper-undercoated, tin-plated |  |
| Housing: PA9T, UL94V-0, natural                          |  |
| Solder tab: Brass, copper-undercoated, tin-plated        |  |

# GH CONNECTOR

## Taping specifications



### Top entry type

| Circuits | Dimensions mm(in.) |             |             | Reel dimensions mm(in.) | Q'ty / reel |
|----------|--------------------|-------------|-------------|-------------------------|-------------|
|          | F                  | S           | W           |                         |             |
| 2        | 7.5(.295)          | —           | 16.0(.630)  | 17.5(.689)              | 2,500       |
| 3 to 9   | 11.5(.453)         | —           | 24.0(.945)  | 25.5(1.004)             | 2,500       |
| 10 to 12 | 14.2(.559)         | 28.4(1.118) | 32.0(1.260) | 33.5(1.319)             | 2,500       |
| 13 to 15 | 20.2(.795)         | 40.4(1.591) | 44.0(1.732) | 45.5(1.791)             | 2,500       |

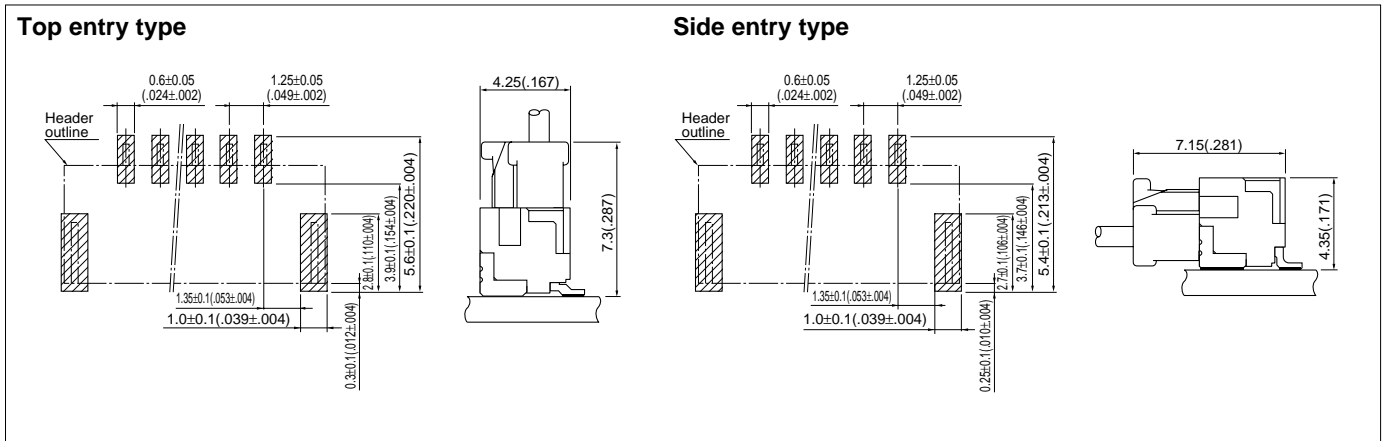
### Side entry type

| Circuits | Dimensions mm(in.) |             |             | Reel dimensions mm(in.) | Q'ty / reel |
|----------|--------------------|-------------|-------------|-------------------------|-------------|
|          | F                  | S           | W           |                         |             |
| 2 to 5   | 7.5(.295)          | —           | 16.0(.630)  | 17.5(.689)              | 2,500       |
| 6 to 11  | 11.5(.453)         | —           | 24.0(.945)  | 25.5(1.004)             | 2,500       |
| 12 to 15 | 14.2(.559)         | 28.4(1.118) | 32.0(1.260) | 33.5(1.319)             | 2,500       |

#### Note:

- Specifications conform to JIS C 0806. The tape width, connector loading recess square hole dimensions, etc. are determined by the number of circuits and external shape of the connector to be loaded.
- Specifications are subject to change without prior notice.

## PC board layout (viewed from component side) and Assembly layout



**Note:**

1. Tolerances are non-cumulative: ±0.05mm (±.002") for all centers.
2. The dimensions above should serve as a guideline. Contact JST for details.

## Applicator for the semi-automatic press AP-K2N

| Contact              | Crimp applicator MKS-L-10-3 |                      | Compact crimp applicator MKS-LS |                      | Strip-crimp applicator MKS-SC |
|----------------------|-----------------------------|----------------------|---------------------------------|----------------------|-------------------------------|
|                      | with safety cover           | without safety cover | with safety cover               | without safety cover | with safety cover             |
| <b>SSH-002T-P0.2</b> | APLMK SSHL002-02            | APLNC SSHL002-02     | -                               | -                    | -                             |